

TB-193 Model HWEG-101244 Electron Gun

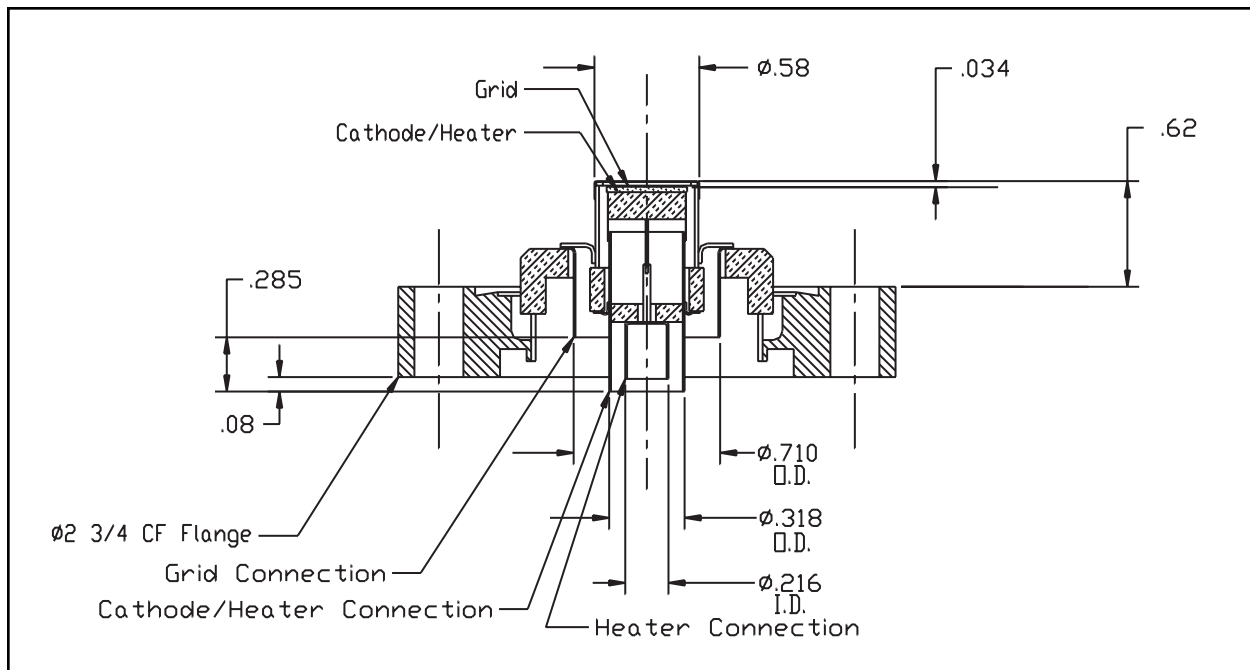
Conflat Size	2 3/4"
Grid-Cathode Spacing (DGK)	160 microns (cold)
Emission, Typical*	3A @ $E_C=100V$
Cathode Area	1.0cm ²
Cathode Diameter	Ø0.44"
Cathode Heater Voltage*	6.3V
Cathode Heater Current, Typ.*	2.2A
Cathode Type	Dispenser
Cathode Lifetime**	>>10,000 Hours



*Actual values are subject to anode and system configurations.
**Cathode lifetimes are theoretical and under ideal conditions.



101244 Gun shown is sealed
in its shipping/storage container.



Rev. Date 9/9/02