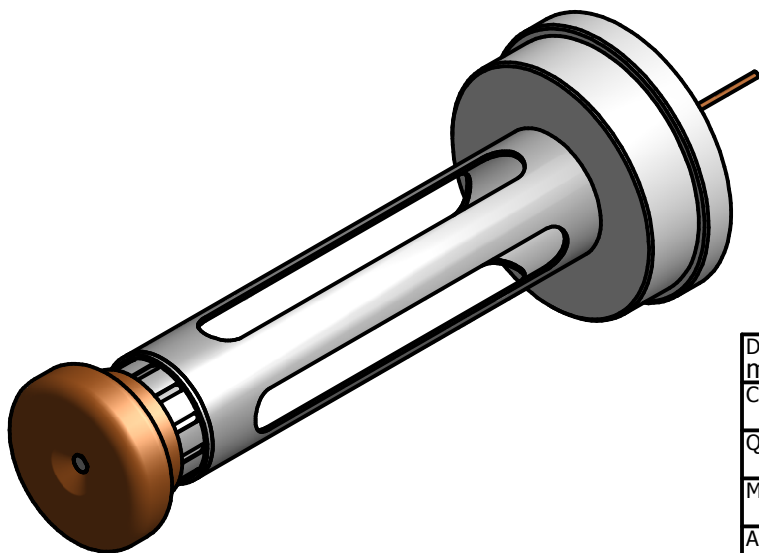
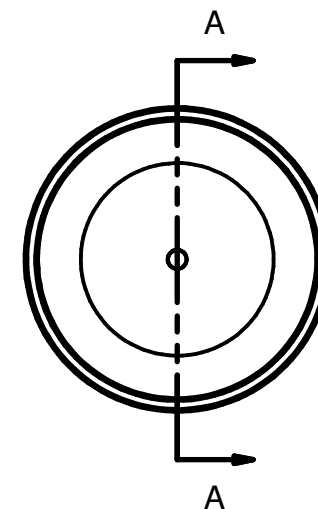
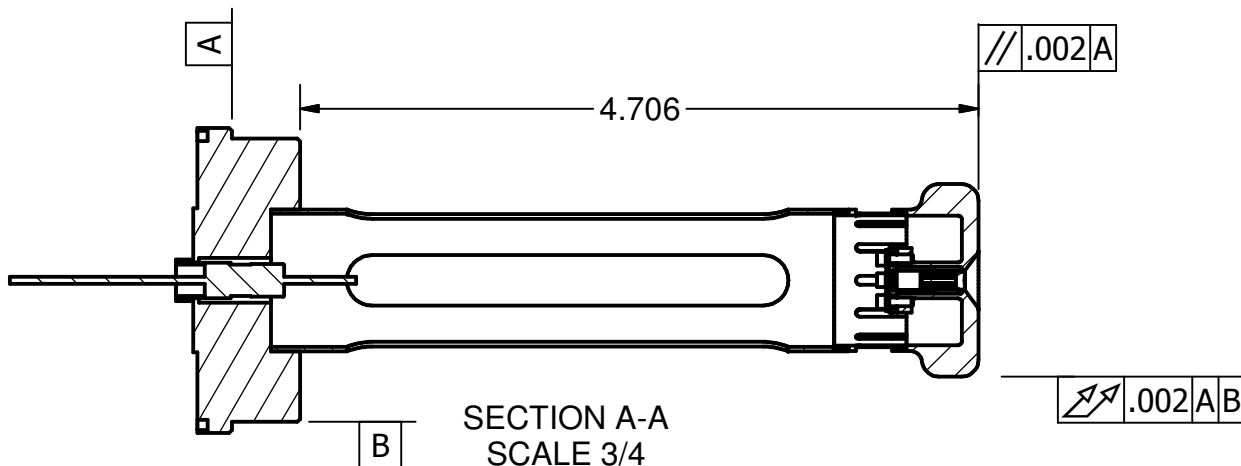




PARTS LIST

ITEM	QTY	PART NUMBER	DESCRIPTION
1	1	107803	Cathode/FE Assembly, BOM
2	1	107820	Customer Supplied Stalk Assembly



Notes:

1. All parts have been cleaned for UHV use prior to assembly.
2. Assembly must be handled with good clean room practice to prevent contamination.
3. Assembly should be stored in vacuum or dry nitrogen until use.
4. Hook up details between the cathode and base are not shown for clarity. One lead is internally grounded.

DRAWN mcurtis	6/12/2012
CHECKED	
QA	
MFG	
APPROVED	
Material:	
-	

<i>HeatWave Labs, Inc.</i>		195 Aviation Way, Suite 100 P: 831-722-9081 Watsonville, CA 95076 F: 831-722-5491 www.cathode.com	
Cathode/Focus Electrode Assembly			
SIZE A	Cage Code: 1YAN4	DWG NO 107741	REV
SCALE 3/4			SHEET 1 OF 3

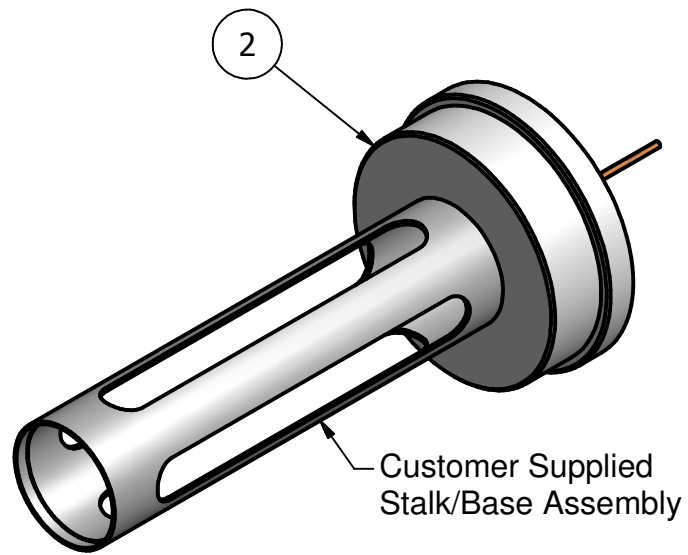
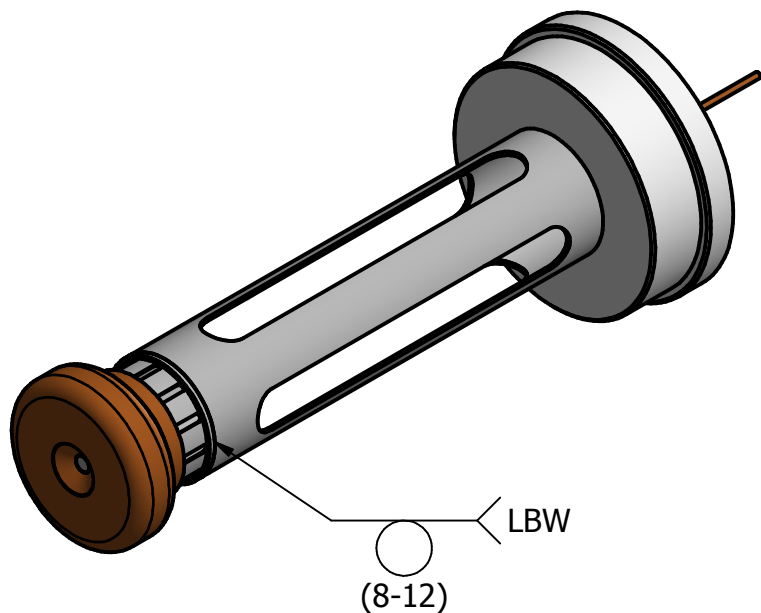
This document is the property of HeatWave Labs. Its contents may not be reproduced without express written permission of HeatWave Labs.



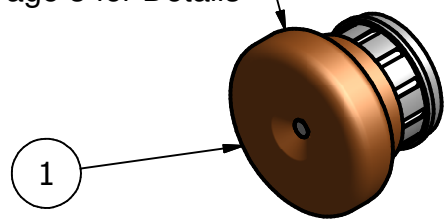


B

B



Cathode/Focus Electrode Assembly  
See Page 3 for Details



A

A

DRAWN mcurtis	6/12/2012
CHECKED	
QA	
MFG	
APPROVED	

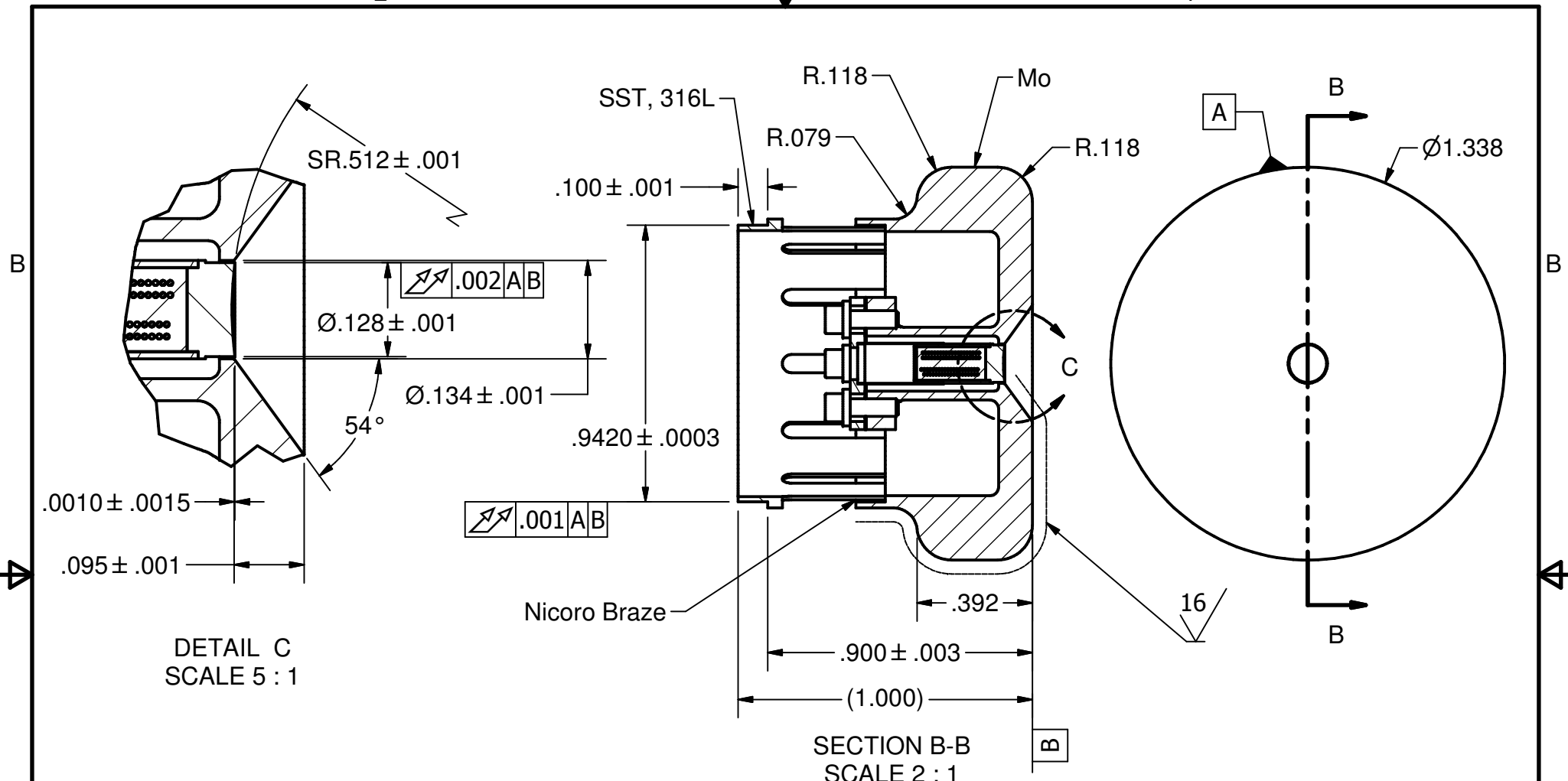
*HeatWave Labs, Inc.* 195 Aviation Way, Suite 100 P: 831-722-9081  
Watsonville, CA 95076 F: 831-722-5491  
www.cathode.com

Cathode/Focus Electrode Assembly

This document is the property of HeatWave Labs.  
Its contents may not be reproduced without  
express written permission of HeatWave Labs.

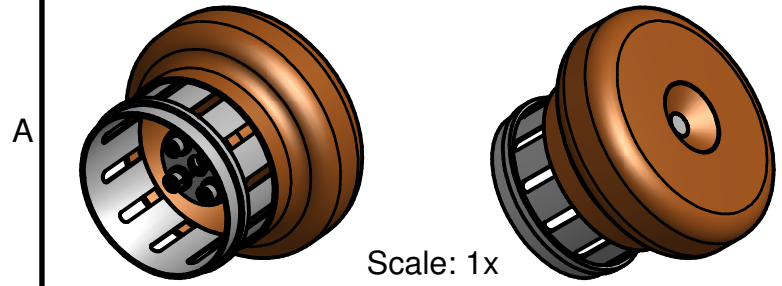
SIZE A	DWG NO 107741	REV
SCALE 3/4	SHEET 2 OF 3	





DETAIL C  
SCALE 5 : 1

SECTION B-B  
SCALE 2 : 1



Scale: 1x

This document is the property of HeatWave Labs.  
Its contents may not be reproduced without  
express written permission of HeatWave Labs.

DRAWN mcurtis	6/12/2012
CHECKED	
QA	
MFG	
APPROVED	

<i>HeatWave Labs, Inc.</i>		195 Aviation Way, Suite 100 P: 831-722-9081	
		Watsonville, CA 95076 F: 831-722-5491	
www.cathode.com			
<b>Cathode/Focus Electrode Assembly</b>			
SIZE A	DWG NO 107741	REV	
SCALE 2x	SHEET 3 OF 3		