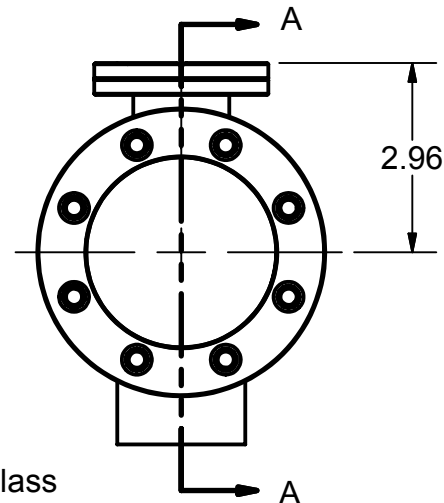
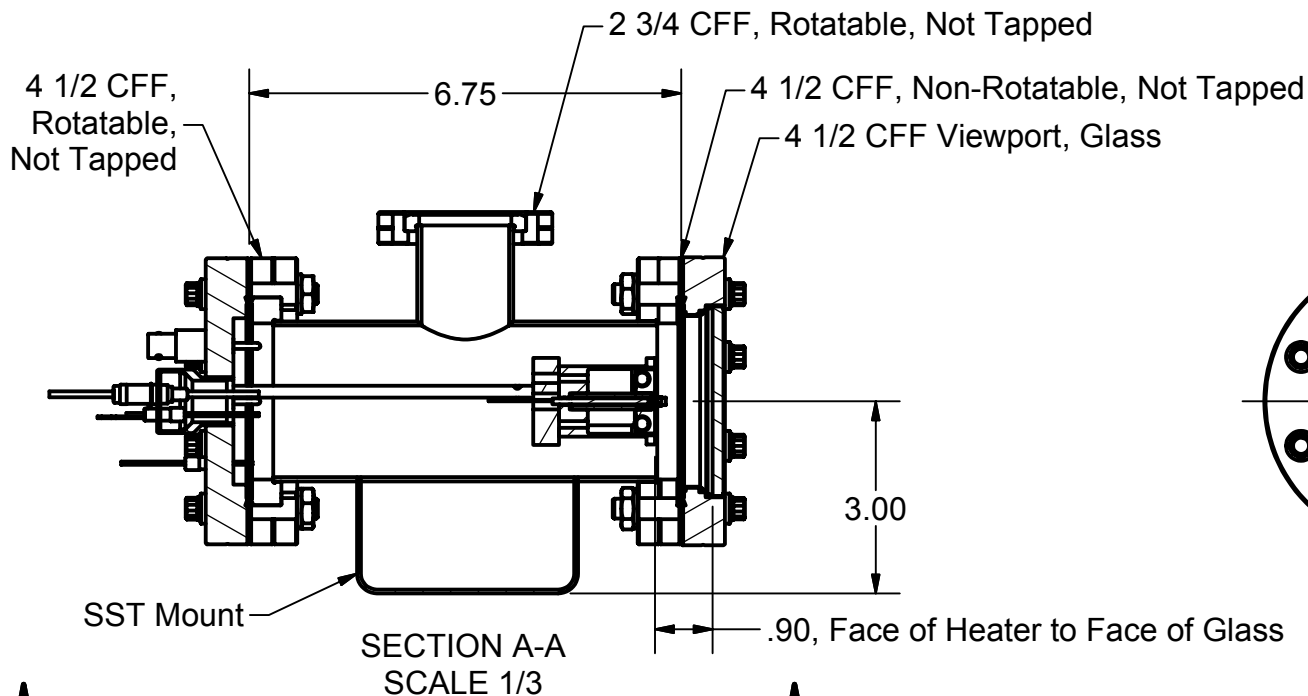




PARTS LIST

ITEM	QTY	PART NUMBER	DESCRIPTION
1	1	106879	4 1/2 TEE Chamber w/101491-02, BOM



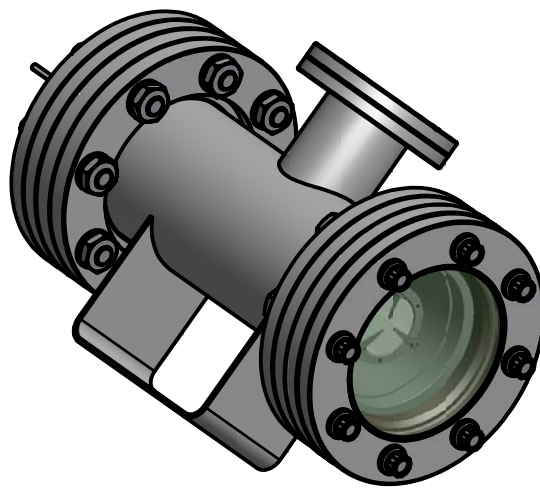
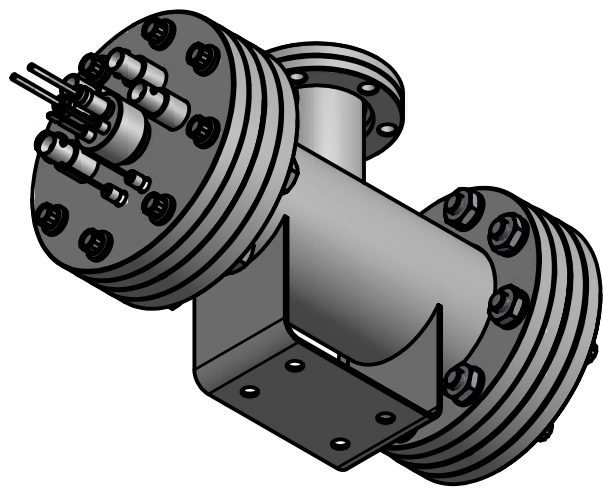
Notes:  
 1. Assembly must be leak tight to  $1 \times 10^{-9}$  cc/sec Helium.

This document is the property of HeatWave Labs. Its contents may not be reproduced without express written permission of HeatWave Labs.

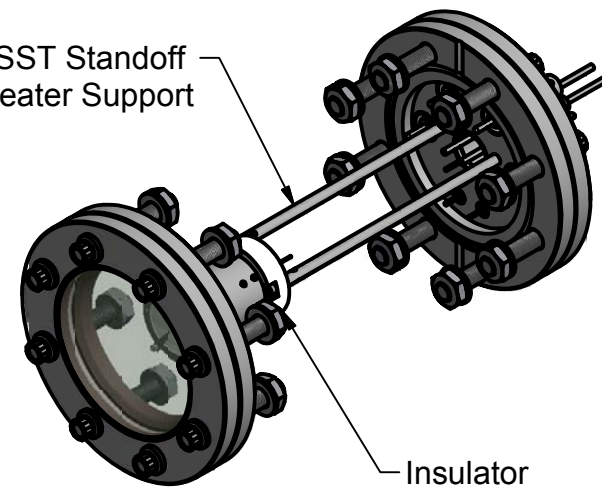
DRAWN mcurtis	5/24/2011
CHECKED	
QA	
MFG	
APPROVED	
Material:	
-	

<i>HeatWave Labs, Inc.</i>		195 Aviation Way, Suite 100 P: 831-722-9081 Watsonville, CA 95076 F: 831-722-5491 www.cathode.com	
		4 1/2 CFF Tee Chamber w/101491-02 Mounted	
SIZE A	Cage Code: 1YAN4	DWG NO 106875	REV
SCALE 1/3	SHEET 1 OF 2		





3X SST Standoff  
for Heater Support

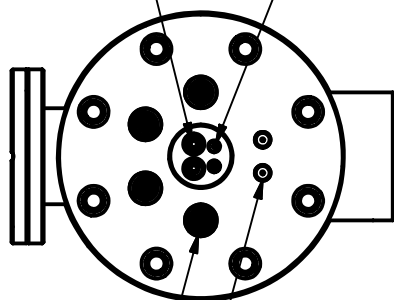


Insulator

Chamber and all Wiring Not  
Shown in this View for Clarity

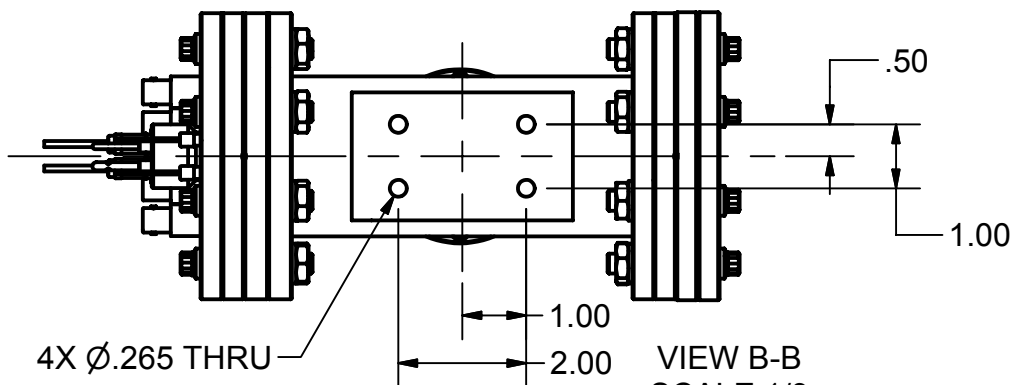
2X Power Feedthru

Single Pair Type K Thermocouple Feedthru



4X BNC Feedthru

2X Ø.05 Cu Feedthru  
(for 2 wire RTD)



VIEW B-B  
SCALE 1/3

B

B



A

A

DRAWN mcurtis	5/24/2011
CHECKED	
QA	
MFG	
APPROVED	

<b>HeatWave Labs, Inc.</b>		195 Aviation Way, Suite 100 P: 831-722-9081 Watsonville, CA 95076 F: 831-722-5491 www.cathode.com	
4 1/2 CFF Tee Chamber w/101491-02 Mounted			
SIZE A	DWG NO 106875	REV	
SCALE 1/3	SHEET 2 OF 2		

This document is the property of HeatWave Labs.  
Its contents may not be reproduced without  
express written permission of HeatWave Labs.

