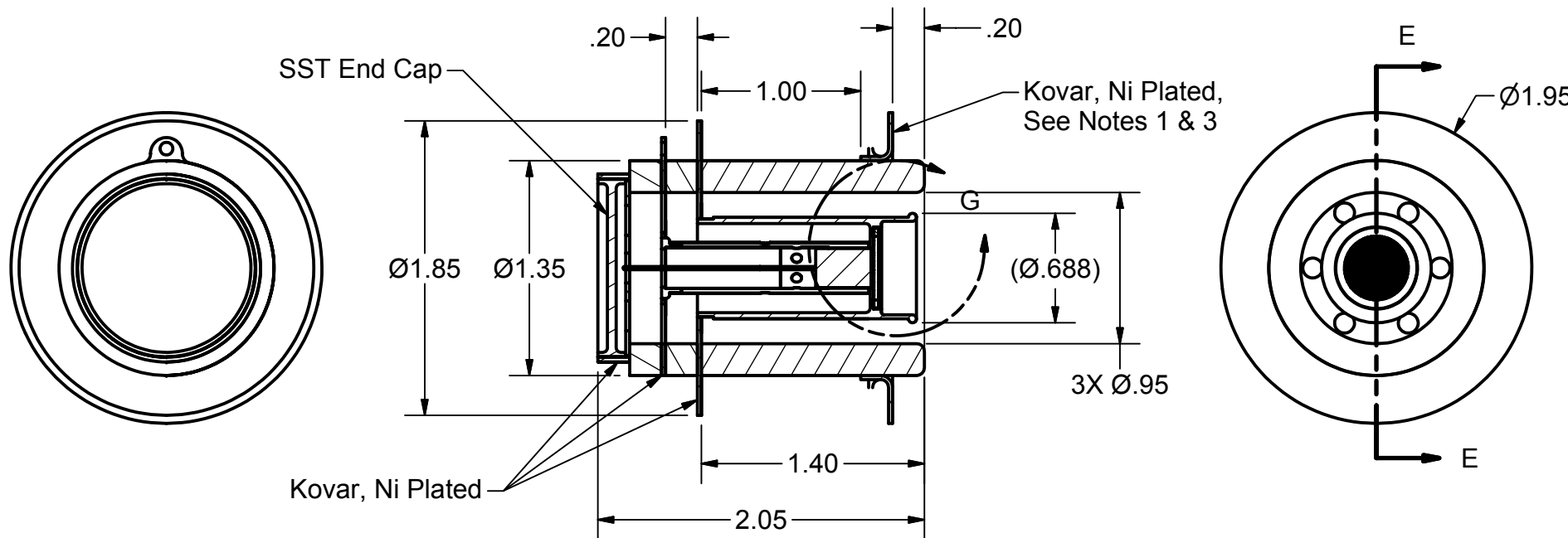


PARTS LIST

ITEM	QTY	PART NUMBER	DESCRIPTION
1	1	106639	40kV Triode Gun, BOM



SECTION E-E
SCALE 1 : 1

Notes:

1. The weld area must be free of braze alloy. No blush allowed on this shoulder, either side.
2. Internally the gun is capable of up to 40kV operation. Externally some protection must be used for HV operation.
3. When mounted from this surface, the assembly must be leak tight to 1×10^{-9} cc/sec Hleium.

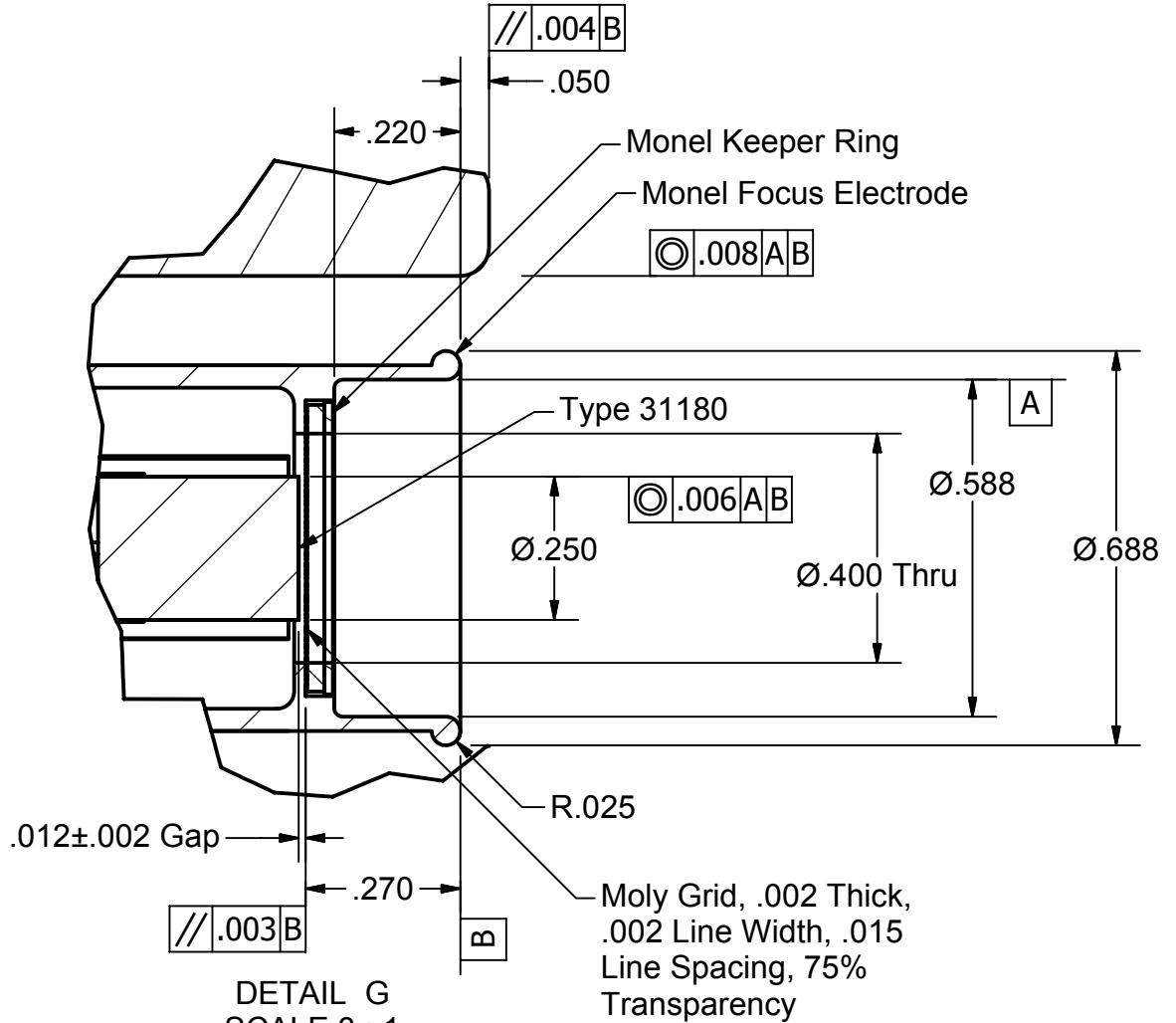
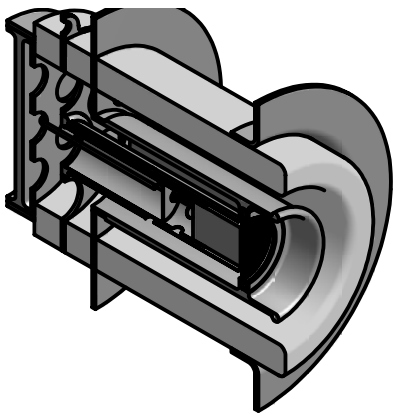
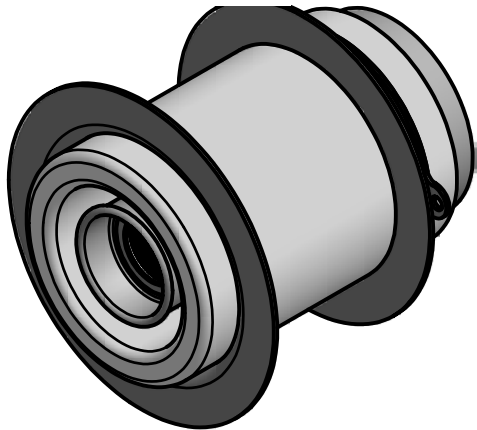
This document is the property of HeatWave Labs. Its contents may not be reproduced without express written permission of HeatWave Labs.

DRAWN mcurtis	2/21/2011
CHECKED	
QA	
MFG	
APPROVED	
Material:	
-	

HeatWave Labs, Inc.
 195 Aviation Way, Suite 100 P: 831-722-9081
 Watsonville, CA 95076 F: 831-722-5491
 www.cathode.com

40kV Triode Gun

SIZE A	Cage Code: 1YAN4	DWG NO 106614	REV
SCALE 1x	SHEET 1 OF 2		



DETAIL G
SCALE 3 : 1

DRAWN mcurtis	2/21/2011
CHECKED	
QA	
MFG	
APPROVED	

HeatWave Labs, Inc.
195 Aviation Way, Suite 100 P: 831-722-9081
Watsonville, CA 95076 F: 831-722-5491
www.cathode.com

40kV Triode Gun

SIZE A	DWG NO 106614	REV
SCALE 1x	SHEET 2 OF 2	

This document is the property of HeatWave Labs. Its contents may not be reproduced without express written permission of HeatWave Labs.