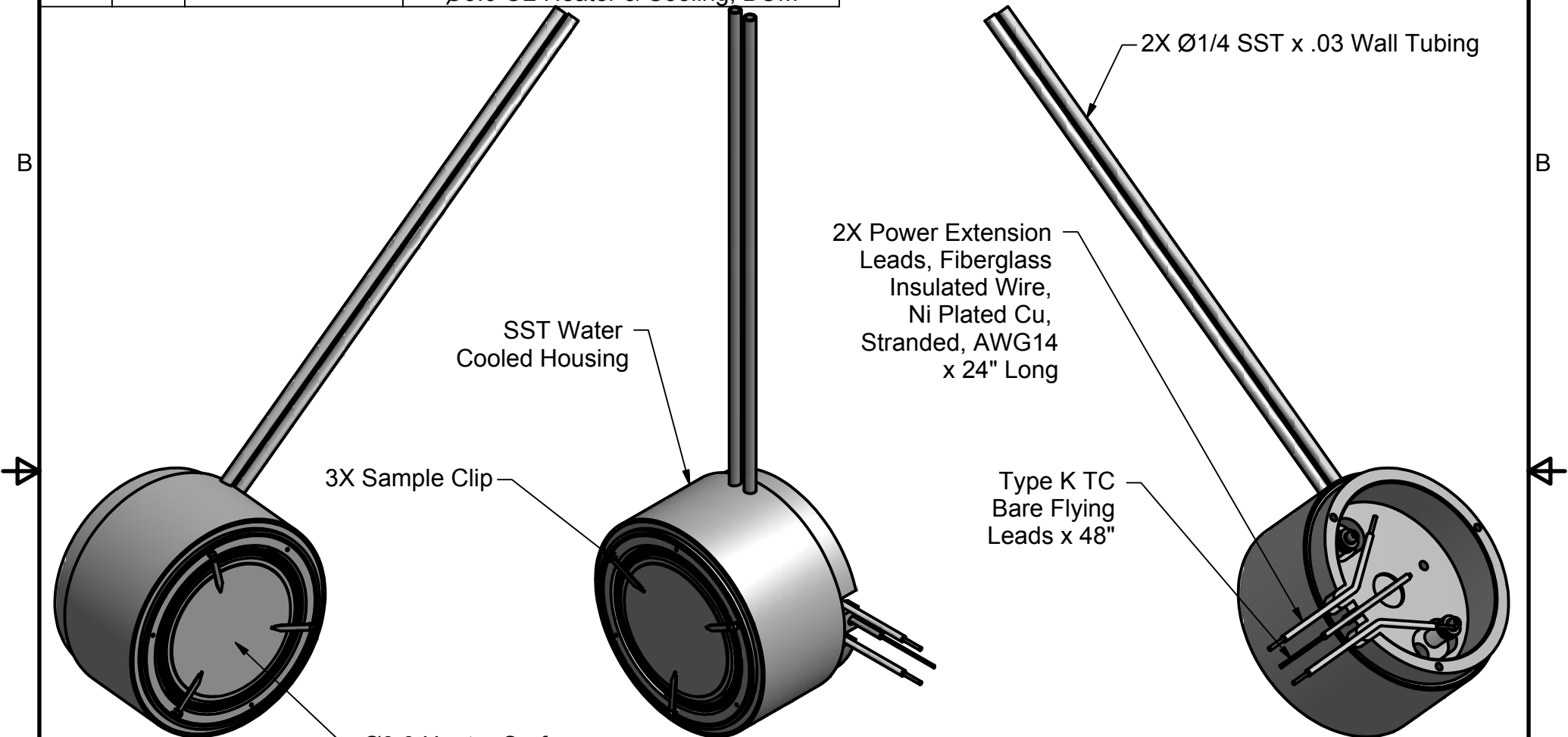




PARTS LIST

ITEM	QTY	PART NUMBER	DESCRIPTION
1	1	106458	Ø3.0 O2 Heater & Cooling, BOM



Notes:

- 1. Estimated operation:
 12.1V, 35.4A @ 800°C
 16.8V, 40.0A @ 1000°C

This document is the property of HeatWave Labs. Its contents may not be reproduced without express written permission of HeatWave Labs.

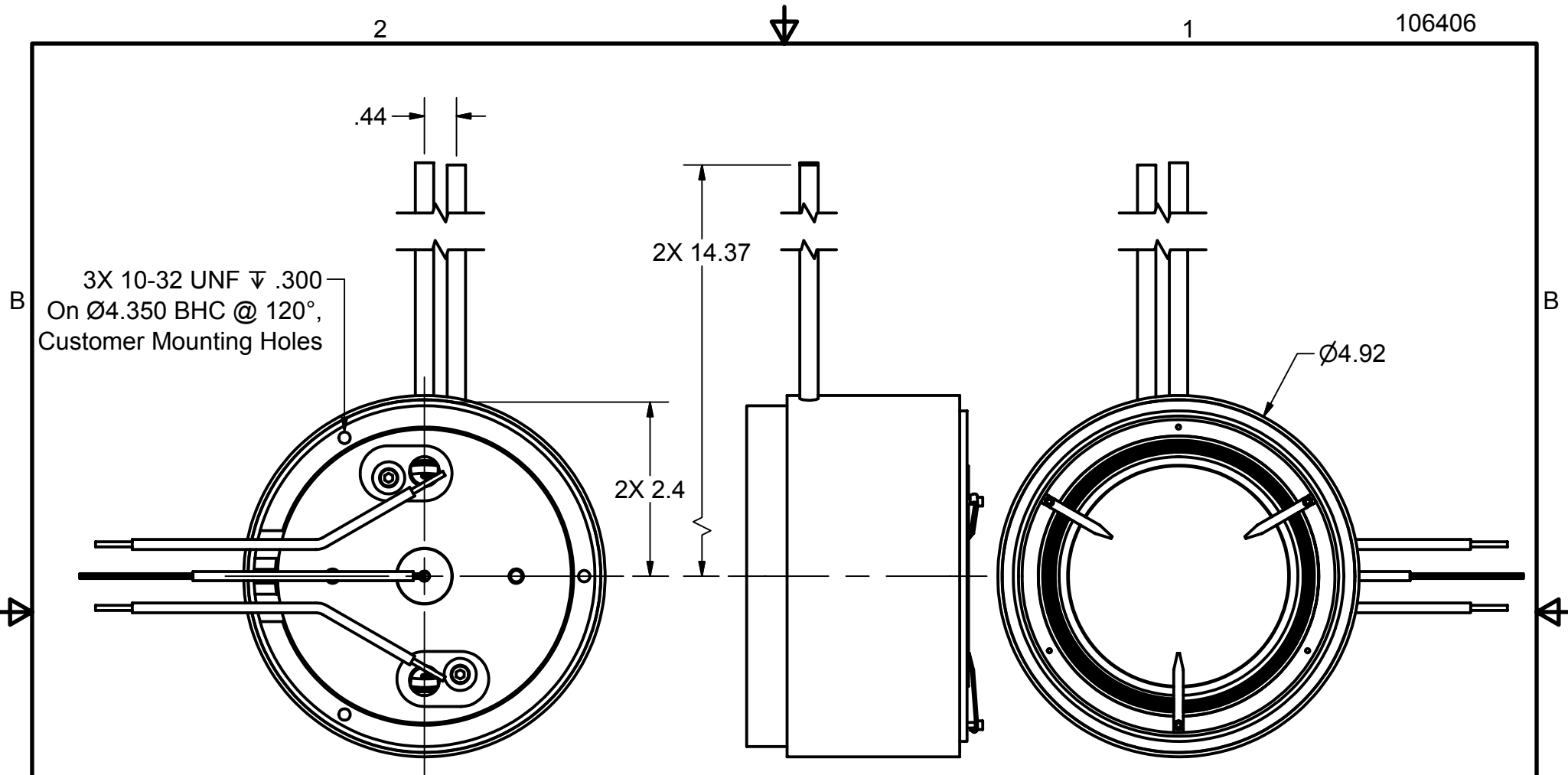
DRAWN mcurtis	9/3/2010
CHECKED	
QA	
MFG	
APPROVED	
Material:	
-	

HeatWave Labs, Inc.
 195 Aviation Way, Suite 100 P: 831-722-9081
 Watsonville, CA 95076 F: 831-722-5491
 www.cathode.com

**Ø3.0 O2 Heater Assembly
 w/Water Cooled Housing**

SIZE A	Cage Code: 1YAN4	DWG NO 106406	REV
SCALE 1/3	SHEET 1 OF 2		





3X 10-32 UNF ∇ .300
On $\text{Ø}4.350$ BHC @ 120° ,
Customer Mounting Holes

2X 2.4

2X 14.37

$\text{Ø}4.92$

A

DRAWN mcurtis	9/3/2010
CHECKED	
QA	
MFG	
APPROVED	

HeatWave Labs, Inc. 195 Aviation Way, Suite 100 P: 831-722-9081
Watsonville, CA 95076 F: 831-722-5491
www.cathode.com

**Ø3.0 O2 Heater Assembly
w/Water Cooled Housing**

SIZE A	DWG NO 106406	REV
SCALE 1/2	SHEET 2 OF 2	

2

1

2

1