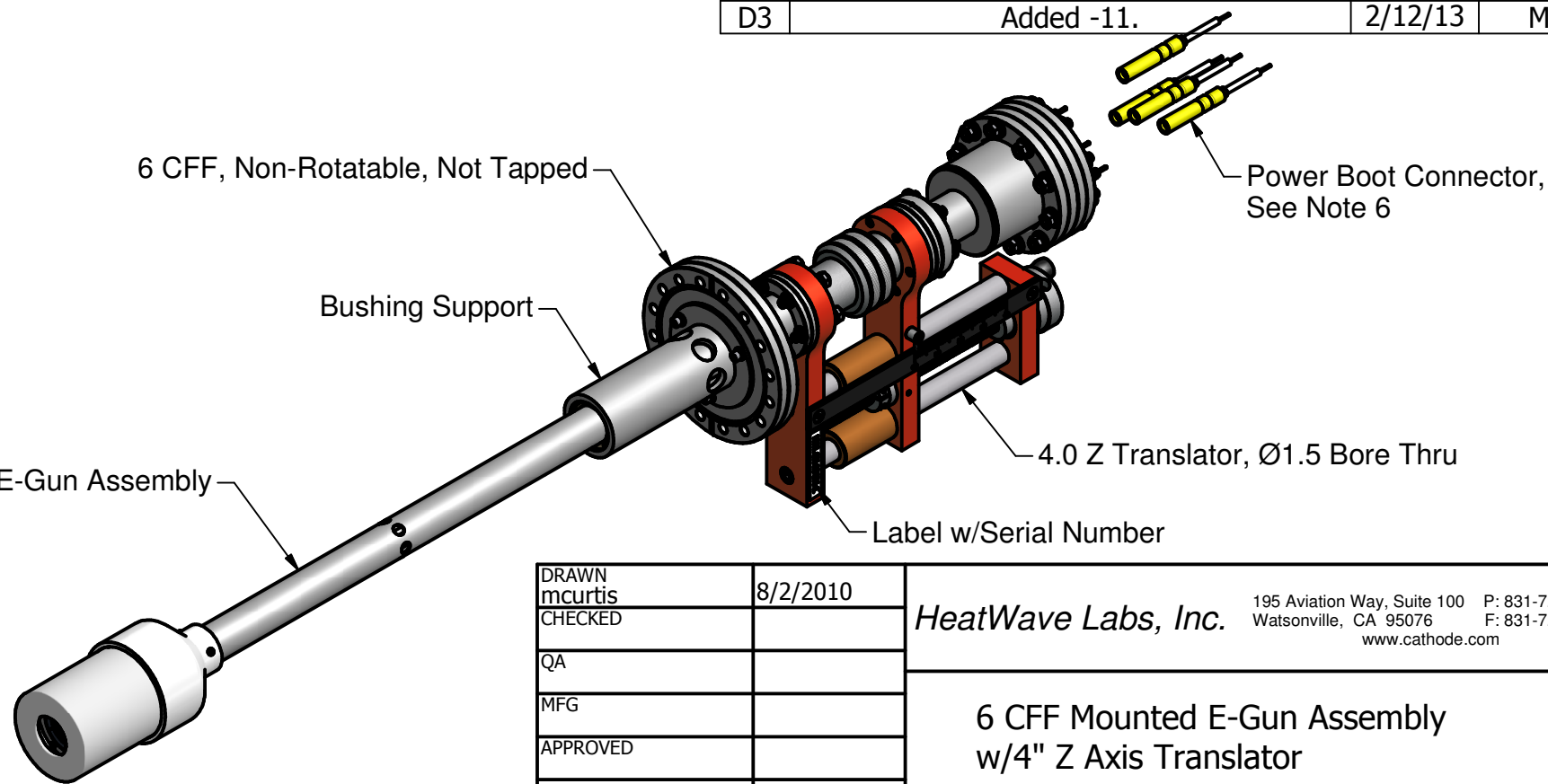


PARTS LIST

REVISION HISTORY

ITE	QTY	PART NUMBE	DESCRIPTION
1	1	See Table A	6 CFF Mounted E-Gun Assy, BOM

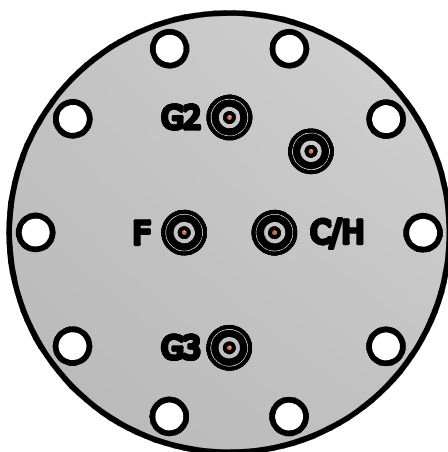
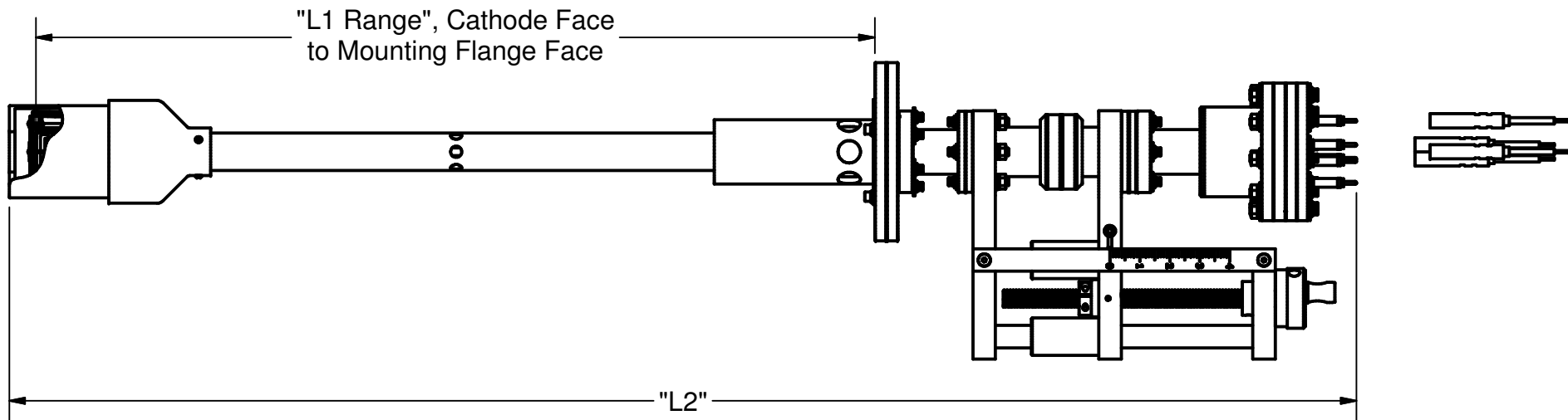
REV	DESCRIPTION	DATE	APPROVE
1	Added vent holes in stalk.	1/3/11	MC
A	Gun Changed to have Alumina Insulators.	7/7/11	MC
B	Added dash numbers and V,I,T data.	8/25/11	MC
B1	Added -03 & -04.	9/26/11	MC
B2	Revised -04 and added -05	10/19/11	MC
B3	Added shipping instructions, note 6.	11/1/11	MC
B4	Added -06, -07 and -08, revised notes.	12/15/11	MC
C	Was reserved for -09, see 107559.	4/12/12	MC
D	Many design changes to address standoff.	4/12/12	MC
D1	Refinements and production release.	7/17/12	MC
D2	Revised V,I,T data.	1/29/13	MC
D3	Added -11.	2/12/13	MC



This document is the property of HeatWave Labs. Its contents may not be reproduced without express written permission of HeatWave Labs.

DRAWN mcurtis	8/2/2010
CHECKED	
QA	
MFG	
APPROVED	
Material:	

<p><i>HeatWave Labs, Inc.</i></p> <p>195 Aviation Way, Suite 100 P: 831-722-9081 Watsonville, CA 95076 F: 831-722-5491 www.cathode.com</p>			
		<p>6 CFF Mounted E-Gun Assembly w/4" Z Axis Translator</p>	
SIZE A	Cage Code: 1YAN4	DWG NO 106381	REV D3
SCALE 3/16	SHEET 1 OF 5		



Scale: 1/2

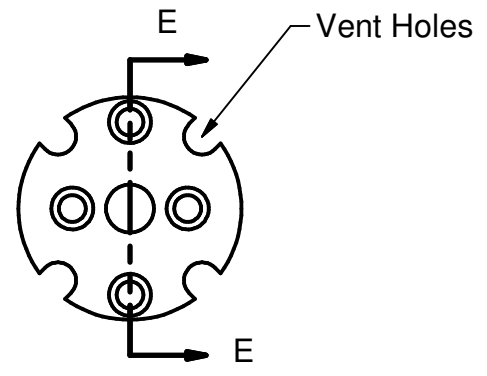
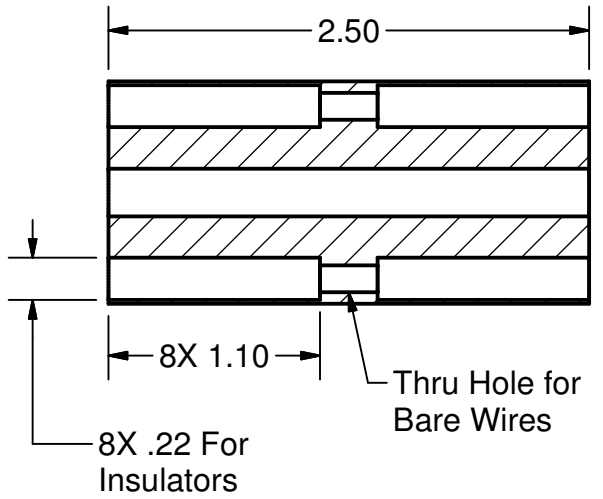
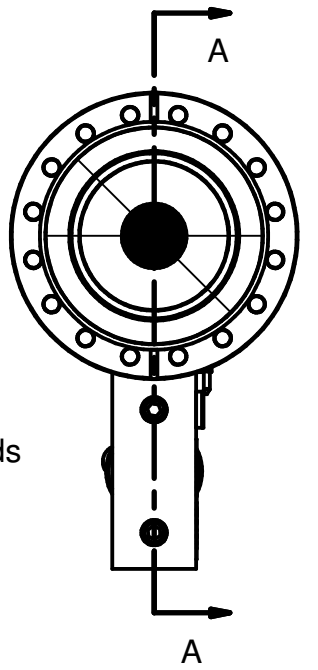
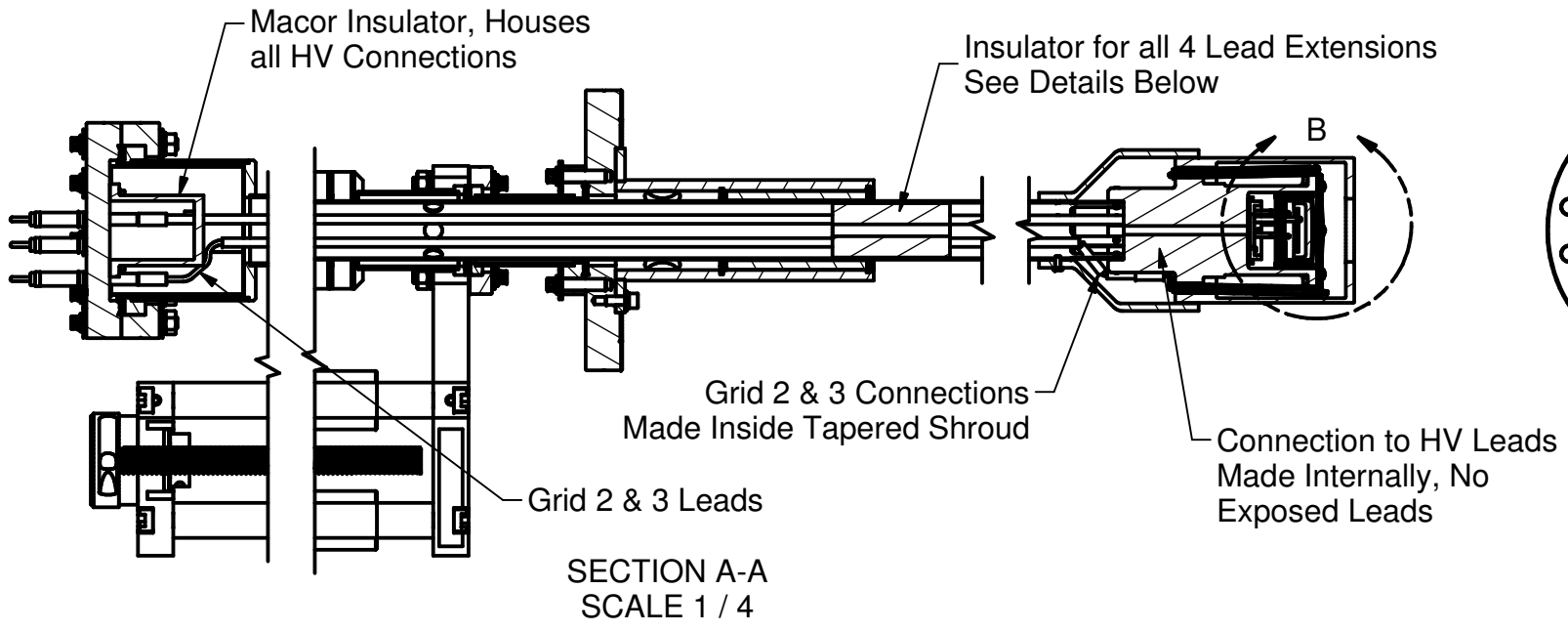
TABLE A		
Dash #	"L1 Range"	"L2"
-10	24.00-28.00	44.97
-11	12.00-16.00	32.97

This view shows the identity marks on the CFF/Feedthru assembly for hook up. As shown the feedthrus are marked for the filament (F), cathode/heater (C/H), grid 2 (G2) and grid 3 (G3). A feedthru without an identity is a spare and is not connected to anything internally. All feedthrus and internal connections are isolated from the translator and stalk assembly.

This document is the property of HeatWave Labs. Its contents may not be reproduced without express written permission of HeatWave Labs.

DRAWN mcurtis	8/2/2010
CHECKED	
QA	
MFG	
APPROVED	

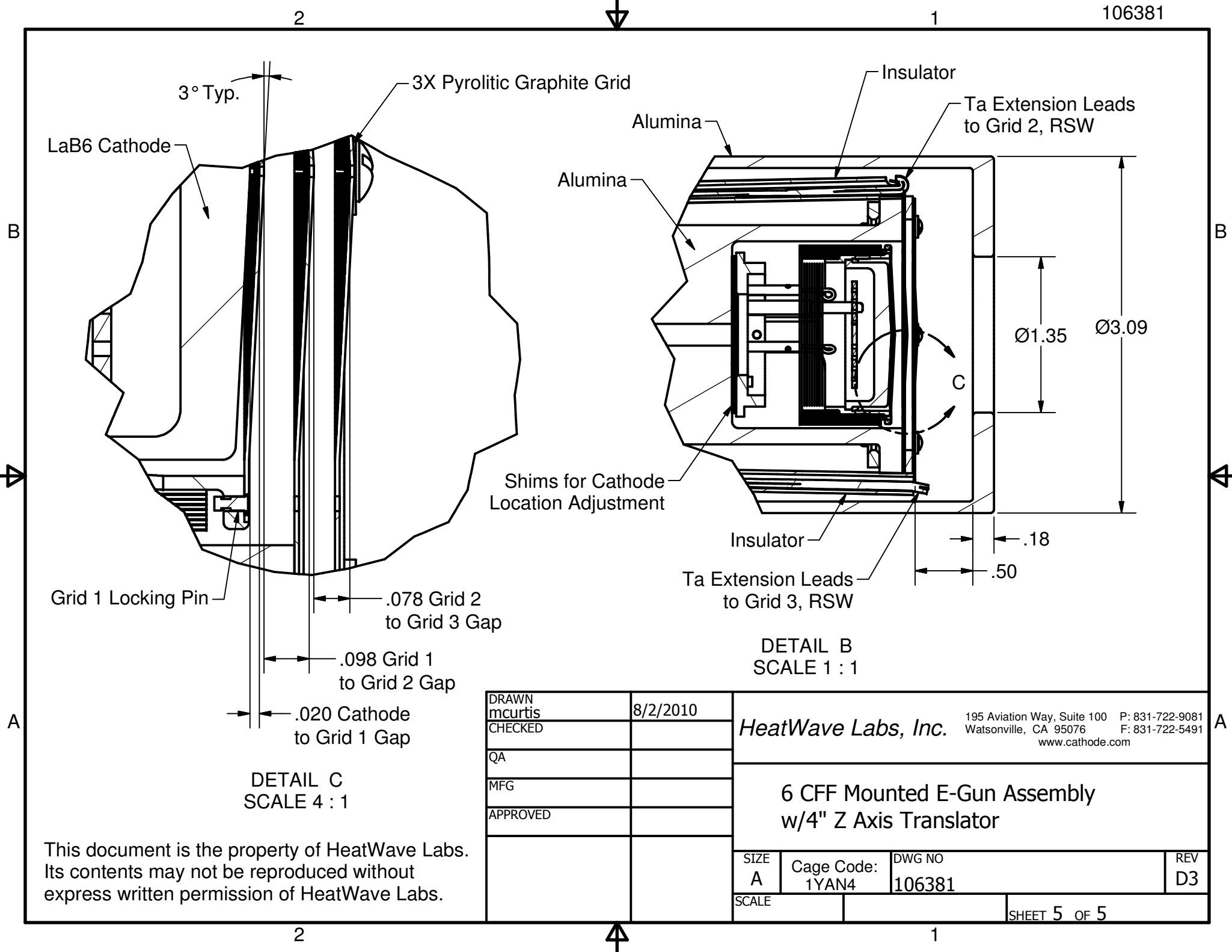
<i>HeatWave Labs, Inc.</i>		195 Aviation Way, Suite 100 P: 831-722-9081	
		Watsonville, CA 95076 F: 831-722-5491 www.cathode.com	
6 CFF Mounted E-Gun Assembly w/4" Z Axis Translator			
SIZE A	Cage Code: 1YAN4	DWG NO 106381	REV D3
SCALE 3/16			SHEET 2 OF 5



This document is the property of HeatWave Labs. Its contents may not be reproduced without express written permission of HeatWave Labs.

DRAWN mcurtis	8/2/2010
CHECKED	
QA	
MFG	
APPROVED	

<i>HeatWave Labs, Inc.</i>		195 Aviation Way, Suite 100 P: 831-722-9081 Watsonville, CA 95076 F: 831-722-5491 www.cathode.com	
6 CFF Mounted E-Gun Assembly w/4" Z Axis Translator			
SIZE A	Cage Code: 1YAN4	DWG NO 106381	REV D3
SCALE 1/4			SHEET 4 OF 5



DETAIL C
SCALE 4 : 1

DETAIL B
SCALE 1 : 1

This document is the property of HeatWave Labs. Its contents may not be reproduced without express written permission of HeatWave Labs.

DRAWN mcurtis	8/2/2010
CHECKED	
QA	
MFG	
APPROVED	

HeatWave Labs, Inc. 195 Aviation Way, Suite 100 P: 831-722-9081
 Watsonville, CA 95076 F: 831-722-5491
 www.cathode.com

**6 CFF Mounted E-Gun Assembly
 w/4" Z Axis Translator**

SIZE A	Cage Code: 1YAN4	DWG NO 106381	REV D3
SCALE		SHEET 5 OF 5	