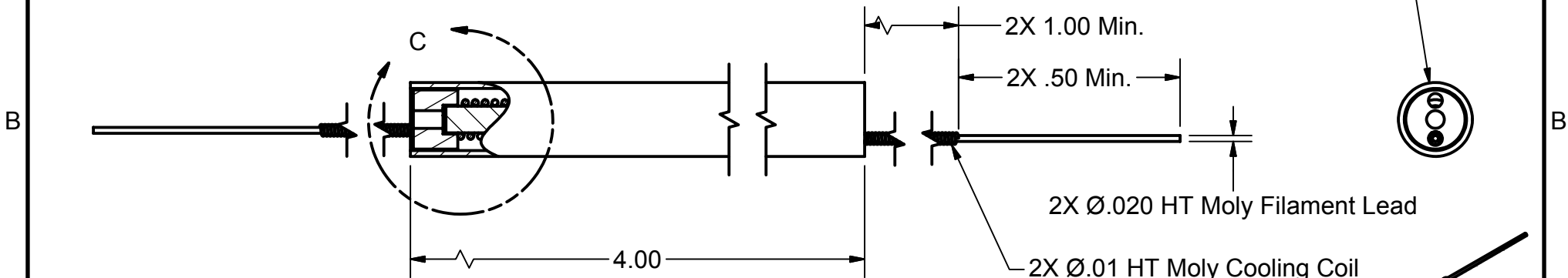




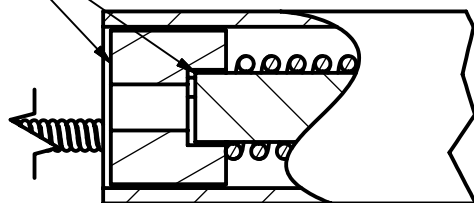
PARTS LIST

ITEM	QTY	PART NUMBER	DESCRIPTION
1	1	106294	Ø.25 UHV Heater Assembly, BOM

Ø.250 x .02 Wall Moly Tube

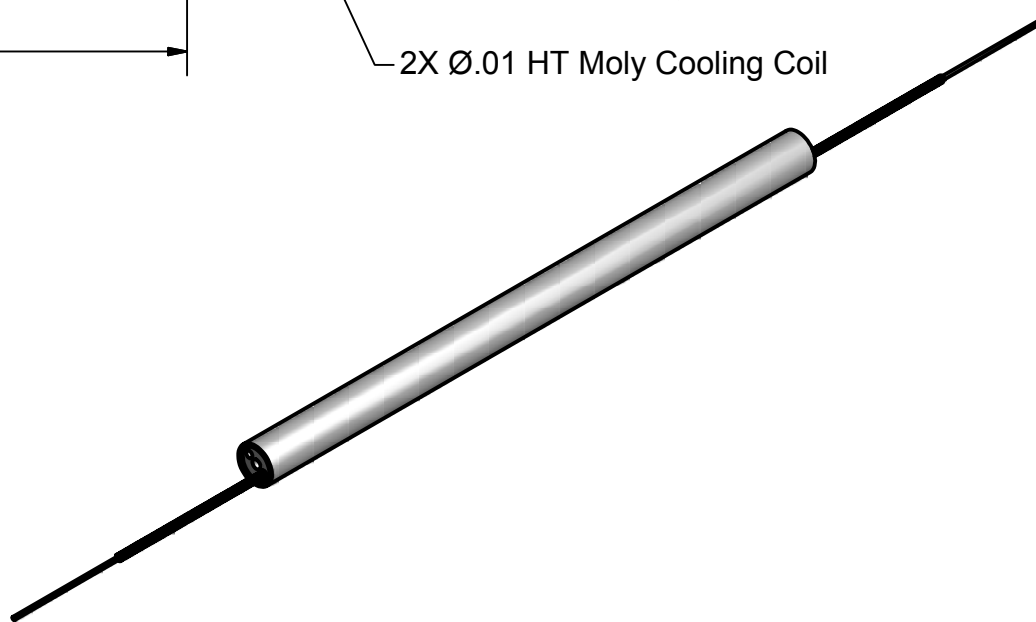


Insulator



Slight Crimp on Each End to Capture Filament Assembly

DETAIL C
SCALE 4 : 1



Notes:

- 1. Estimated operation:
11.9V, 4.6A @ 1000°C
17.5V, 5.4A @ 1200°C

DRAWN mcurtis	7/8/2010
CHECKED	
QA	
MFG	
APPROVED	
Material:	
-	

HeatWave Labs, Inc.
 195 Aviation Way, Suite 100 P: 831-722-9081
 Watsonville, CA 95076 F: 831-722-5491
 www.cathode.com

Ø.25 UHV Heater Assembly

This document is the property of HeatWave Labs. Its contents may not be reproduced without express written permission of HeatWave Labs.

SIZE A	Cage Code: 1YAN4	DWG NO 106238	REV
SCALE 2x	SHEET 1 OF 1		

