

2



1

106184

## PARTS LIST

ITEM	QTY	PART NUMBER	DESCRIPTION
1	1	106225	8 CFF Mounted 3.0 Heater Assy., BOM
2	1	106276	Customer Supplied Graphite Cap

Bias Wire & Insulators  
Routed Around Housing

4" Z Translator

Ø.03 Ni Bias Wire, Connection TBD

3X Inconel Sample Clips, Common  
To Graphite, Isolated from Housing

Customer Supplied Graphite Cup

8 CFF,  
Non-Rotatable,  
Not Tapped

2X Ø.15 Cu Power Feedthru

Ø.09 Cu Bias Feedthru

Single Pair, Type K TC Feedthru

## Notes:

- Estimated operation:  
17.6V, 34A @ 1000°C  
21.2V, 38A @ 1100°C

DRAWN mcurtis	7/6/2010
CHECKED	
QA	
MFG	
APPROVED	
Material:	
-	

**HeatWave Labs, Inc.**  
195 Aviation Way, Suite 100 P: 831-722-9081  
Watsonville, CA 95076 F: 831-722-5491  
www.cathode.com

8 CFF Mounted Ø3.0 O2 Heater w/Shields,  
4" Z Axis Travel, Bias Wire and Feedthru

SIZE	Cage Code:	DWG NO	REV
A	1YAN4	106184	

SCALE	1/4	SHEET 1 OF 2
-------	-----	--------------

This document is the property of HeatWave Labs.  
Its contents may not be reproduced without  
express written permission of HeatWave Labs.

2



1

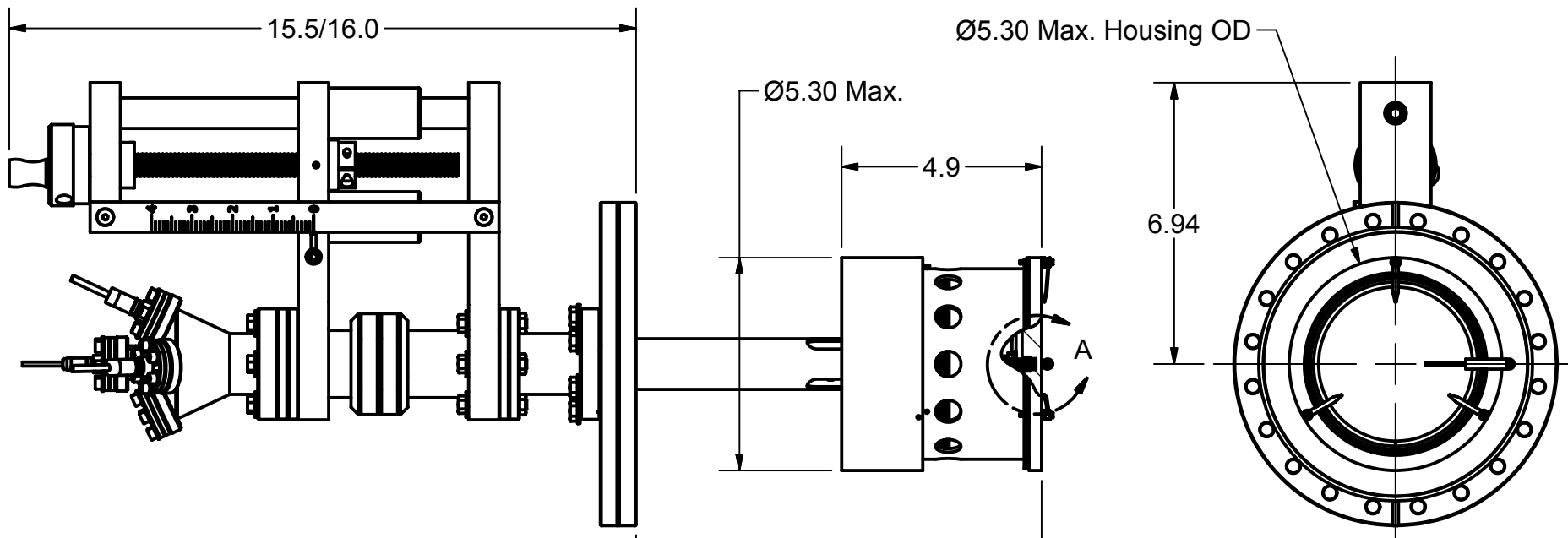
B

B

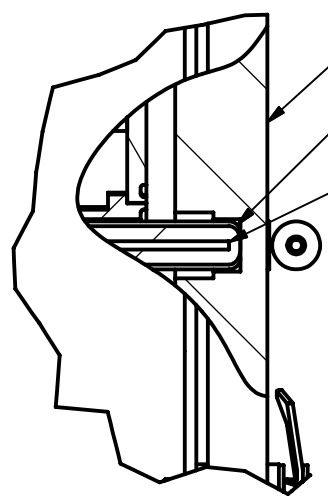
A

A

2



10.00, Shown Fully Extended,  
Full range is 6.00/10.00



- Customer Supplied Graphite Cup, Modified with Ø.312 Flat Bottom Bore
- Alumina TC Protection Tube, for 1kV Bias Standoff
- Type K Thermocouple, Inconel Sheathed, Not Grounded, Spring Loaded

DETAIL A  
SCALE 1 : 1

DRAWN mcurtis	7/6/2010
CHECKED	
QA	
MFG	
APPROVED	

<b>HeatWave Labs, Inc.</b>		195 Aviation Way, Suite 100 P: 831-722-9081	
		Watsonville, CA 95076 F: 831-722-5491	
		www.cathode.com	
<b>8 CFF Mounted Ø3.0 O2 Heater w/Shields, 4" Z Axis Travel, Bias Wire and Feedthru</b>			
SIZE A	DWG NO 106184		REV
SCALE 1/4	1		SHEET 2 OF 2

