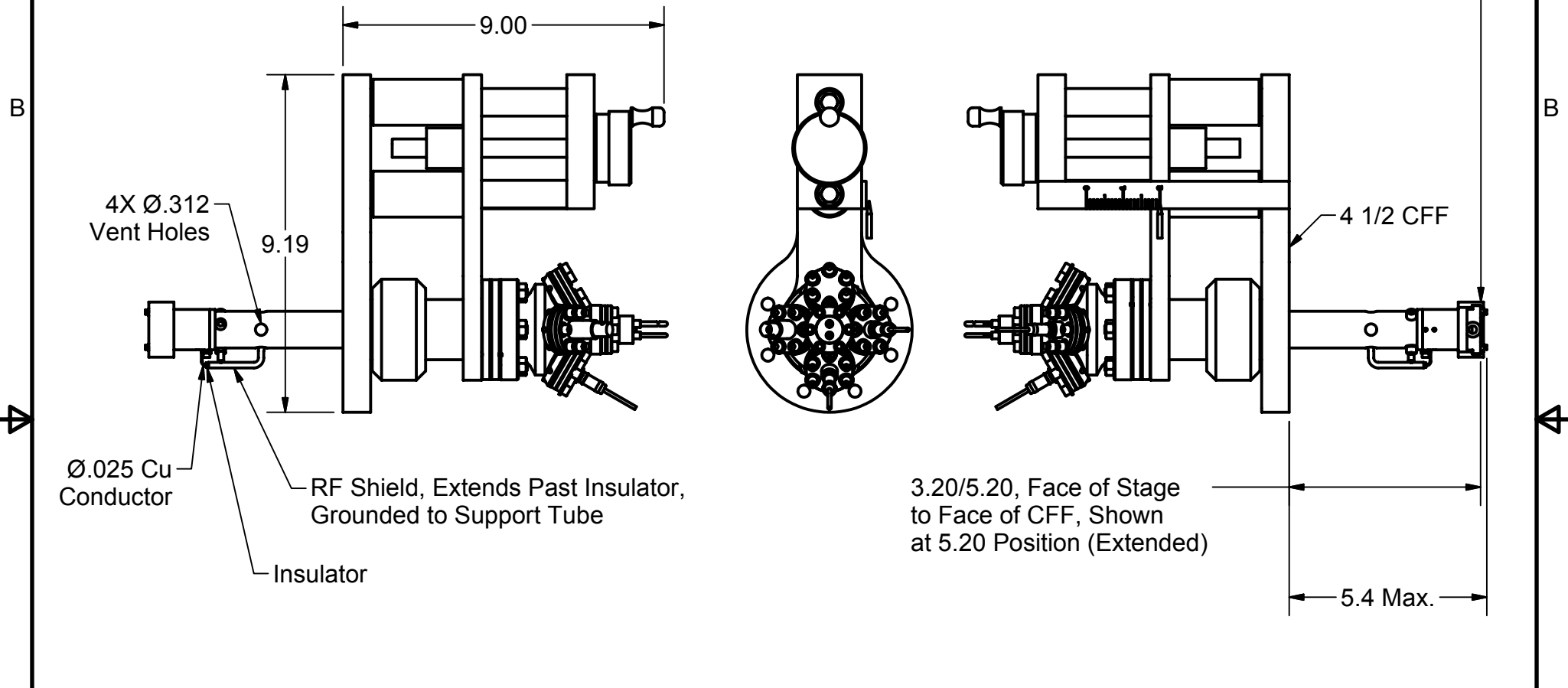




PARTS LIST

ITEM	QTY	PART NUMBER	DESCRIPTION
1	1	105591	4 1/2 CFF Mounted Z Translator w/102514-02, BOM

102514-02, O2 Heater/Dock,
102515-03, O2 Stage w/Clips



A

DRAWN	mcurtis	9/4/2009
CHECKED		
QA		
MFG		
APPROVED		
Material:		

HeatWave Labs, Inc.
 195 Aviation Way, Suite 100 P: 831-722-9081
 Watsonville, CA 95076 F: 831-722-5491
 www.cathode.com

**4 1/2 CFF Mounted 2" Z Axis Manipulator
 w/102514-02 O2 Heater Dock & Stage**

SIZE	Cage Code:	DWG NO	REV
A	1YAN4	105525	
SCALE	1/4		SHEET 1 OF 2

This document is the property of HeatWave Labs. Its contents may not be reproduced without express written permission of HeatWave Labs.



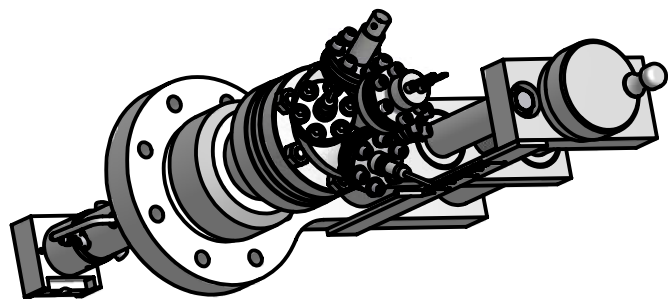
2



1

105525

B



Ø.094 Cu Power Feedthru

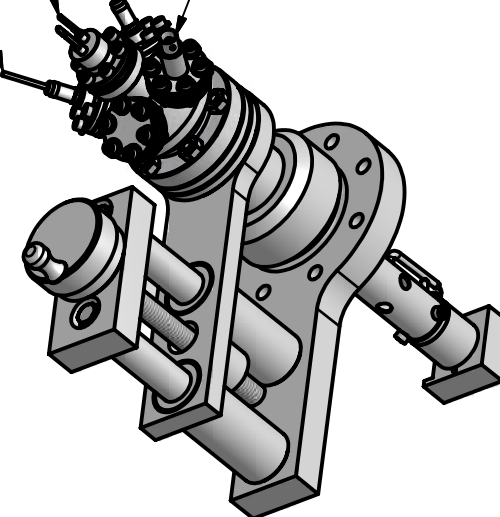
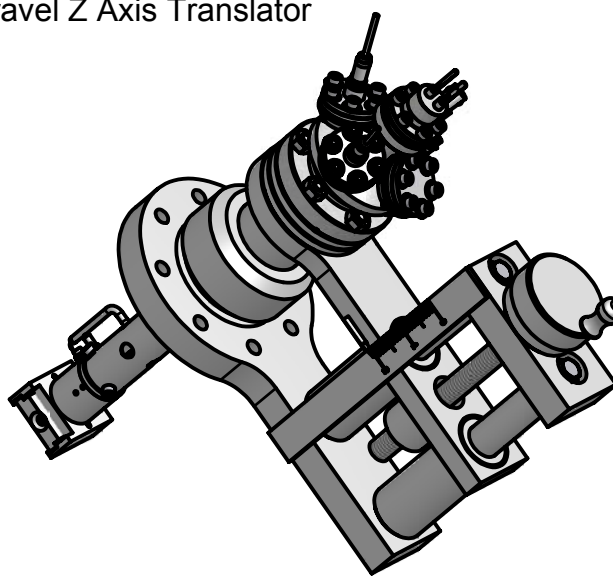
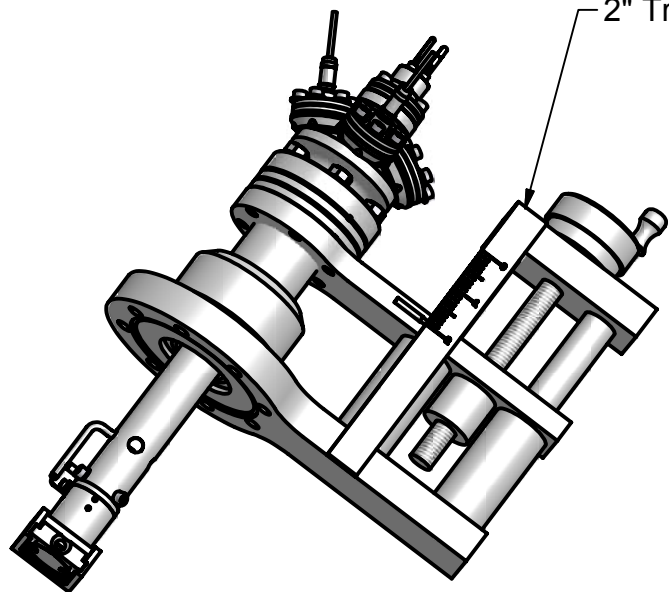
Single Pair Type K TC Feedthru

Ø.094 Cu Power Feedthru

BNC Feedthru

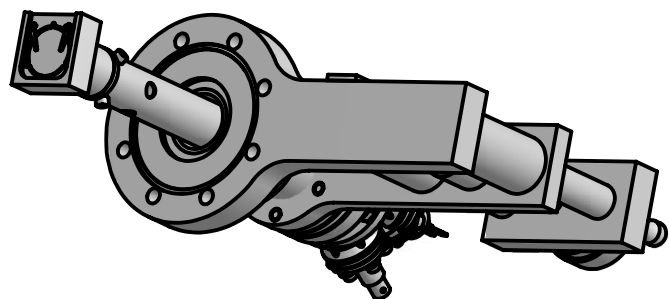
B

2" Travel Z Axis Translator



A

A



DRAWN mcurtis	9/4/2009
CHECKED	
QA	
MFG	
APPROVED	

<i>HeatWave Labs, Inc.</i>		195 Aviation Way, Suite 100 P: 831-722-9081 Watsonville, CA 95076 F: 831-722-5491 www.cathode.com	
4 1/2 CFF Mounted 2" Z Axis Manipulator w/102514-02 O2 Heater Dock & Stage			
SIZE A	DWG NO 105525	REV	
SCALE	SHEET 2 OF 2		

A

2



1