

2

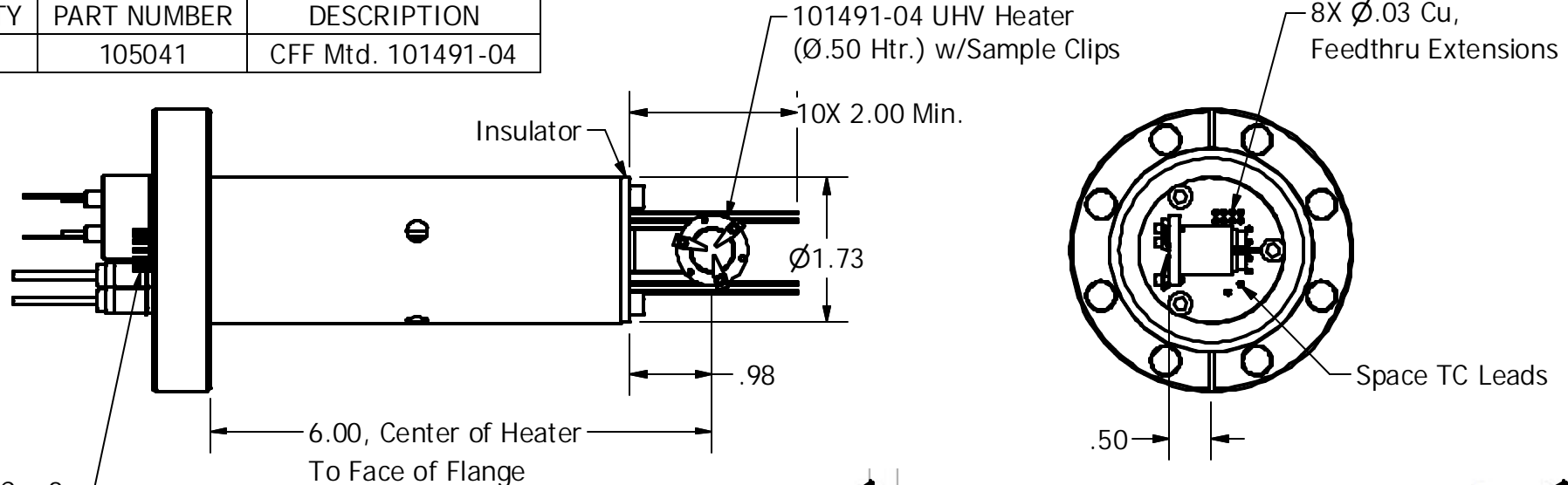
1

1

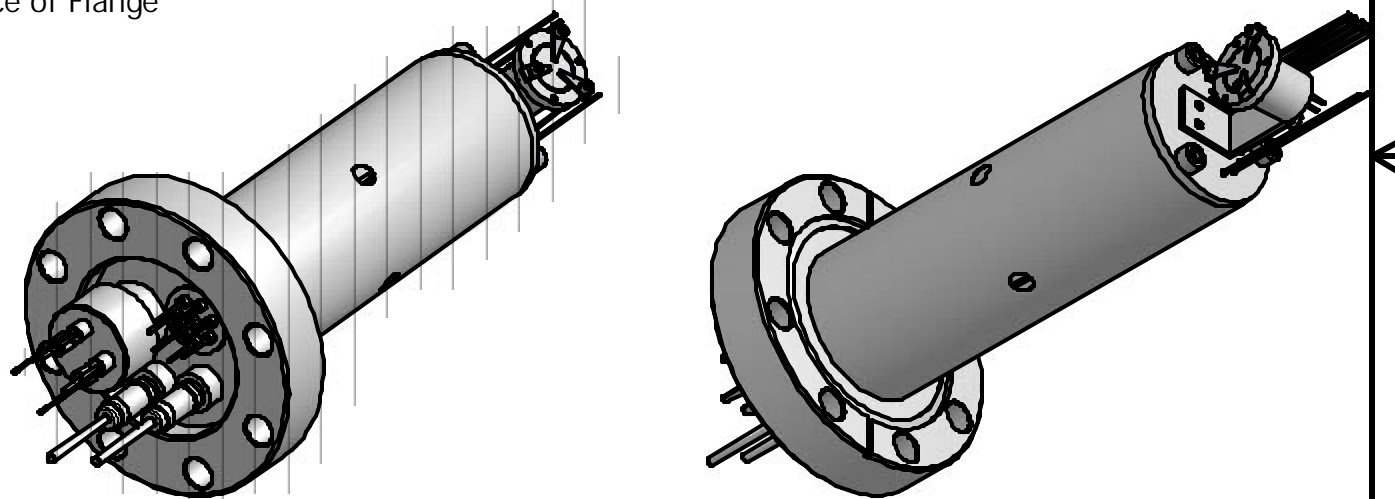
105034

PARTS LIST

ITEM	QTY	PART NUMBER	DESCRIPTION
1	1	105041	CFF Mtd. 101491-04



Ø.032 Cu, 8 Pin Feedthru



- Notes:
1. One TC pair and both Ø.094 feedthrus are used for heater. The other TC pair and the 8 pin feedthrus are for customer use.
 2. Estimated operation:
7.8V, 2.4A @ 1000°C
12.1V, 3.2A @ 1200°C

This document is the property of HeatWave Labs. Its contents may not be reproduced without express written permission of HeatWave Labs.

DRAWN Marc Curtis	12/14/2008
CHECKED	
QA	
MFG	
APPROVED	
Material:	
-	

HeatWave Labs, Inc.
 195 Aviation Way, Suite 100 P: 831-722-9081
 Watsonville, CA 95076 F: 831-722-5491
 www.cathode.com

3 3/8 CFF Mounted 101491-04 UHV Heater Assembly

SIZE A	Cage Code: 1YAN4	DWG NO 105034	REV
SCALE 1/2	SHEET 1 OF 1		