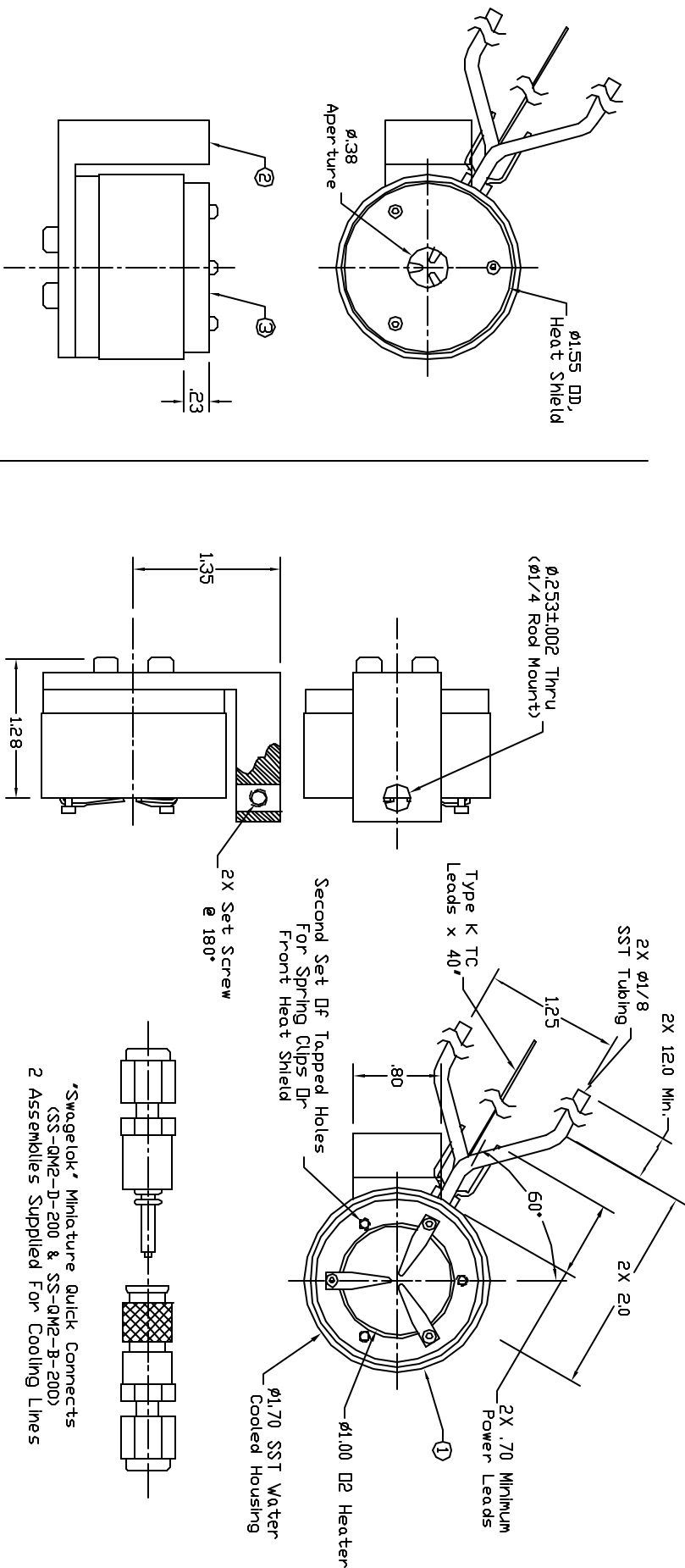


Dash #	Next Assembly
-	-

REV	DESCRIPTION	DATE	APPROVED



These Two Views Shown With Front Heat Shield In Place

Notes:
1.

This document is the property of HeatWave Labs. Its contents may not be reproduced or distributed without express written permission of HeatWave Labs.

UNLESS OTHERWISE SPECIFIED
ALL DIMENSIONS ARE IN INCHES
TOLERANCES ARE:
XXXX = ±.003 .XX = ±.020
XXXXX = ±.0015
FINISH 63 MICRONS
ANGLES 0 DEGREE 30 MINUTES
EDGES AND CORNERS .015 R MAX

MATERIAL

DD NOT SCALE DRAWING

Qty.	Part #	Description	Item #
1	104810-02	Front Heat Shield, Modified ϕ .375	3
1	104864	ϕ 1/4 Rod Mount	2
1	104863-02	ϕ 1.0 \square 2 Heater w/Clips & Cooling	1

HeatWave Labs, Inc.

195 Aviation Way, Suite 100 (831) 722-9081
Watsonville, Ca. 95076 Fax: (831) 722-5491
Website: www.ca.thode.com

BY DATE

ENGR	M.Curtis	7/28/08
------	----------	---------

ϕ 1.0 \square 2 Heater w/Spring Clips & Water Cooling

SIZE	Code	DWG. NO.	REV
A	1VAN4	104809	-
SCALE: 0.7x			SHEET: 1/1