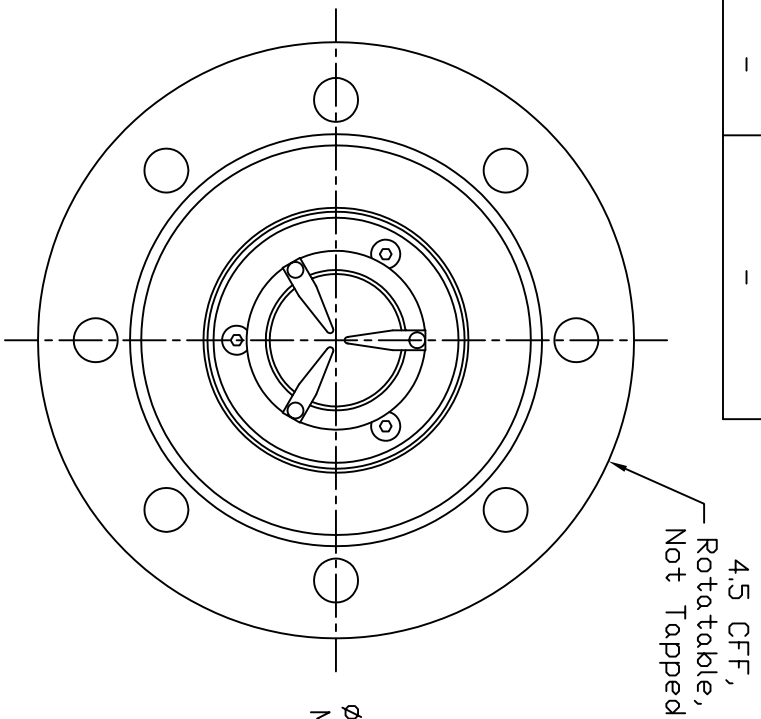


Dash #	Next Assembly
-	-

REVISIONS		
REV	DESCRIPTION	DATE



"L" (Face of flange
to face of heater)

Dash #	"L"	Atmosphere
-01	4.50	UHV
-02	4.50	D2/UHV
-03	6.50	UHV
-04	6.50	D2/UHV

-04	-03	-02	-01	Qty.	Part #	Description	Item #
1	-	-	-	1	104761-04	Heater Mounted Ø4 1/2 CFF	-
-	1	-	-	-	104761-03	Heater Mounted Ø4 1/2 CFF	-
-	-	1	-	-	104761-02	Heater Mounted Ø4 1/2 CFF	-
-	-	-	1	1	104761-01	Heater Mounted Ø4 1/2 CFF	-

UNLESS OTHERWISE SPECIFIED
ALL DIMENSIONS ARE IN INCHES.
TOLERANCES ARE:
XXXX = ±.005 XX = ±.020
FINISH 63 MICRONS
ANGLES 0 DEGREE ±30 MINUTES
EDGES AND CORNERS .0625 R MAX

MATERIAL

This document is the property of HeatWave Labs. Its contents may not be reproduced or distributed without express written permission of HeatWave Labs.

HeatWave Labs, Inc.

195 Aviation Way, Suite 100 (831) 722-9081
Watsonville, Ca. 95076 Fax: (831) 722-5491
Website: www.ca.thode.com

BY DATE

DRAWN ENGR M.Curtis 5-18-08

101491 Heater Mounted Øn
Ø4 1/2 CFF, Rot. w/Feedthru's

SIZE A Cage Code DWG. NO. 104760 REV -

DD NOT SCALE DRAWING

THIRD ANGLE PROJECTION SCALE: 0.7X SHEET: 1/1