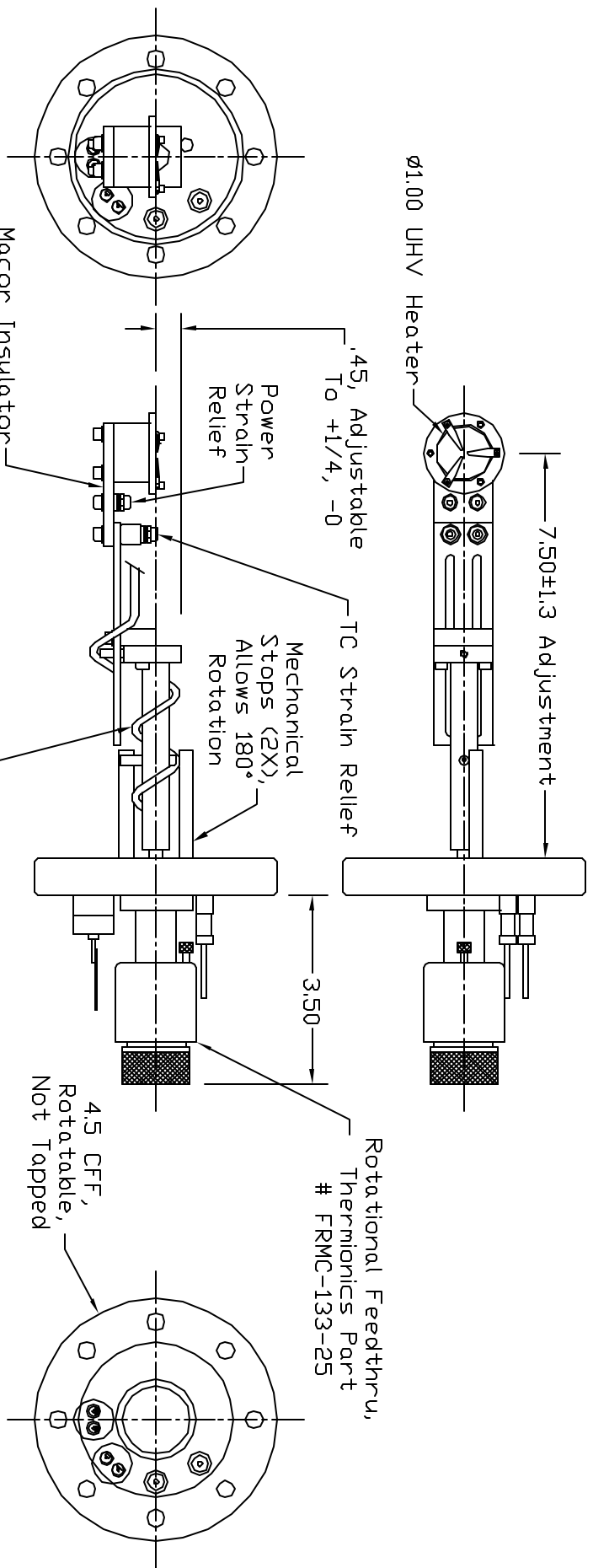


Dash #	Next Assembly
-	-

REV	DESCRIPTION	DATE	APPROVED



- Notes:
1. Assembly fits inside a  $\varnothing 2.625$  bore.
  2. Heater filament is electrically isolated from housing and housing is electrically isolated from the CFF.
  3. Estimated operation:
    - 8.5V, 5.8A @ 900°C
    - 10.9V, 6.6A @ 1000°C
    - 13.6V, 7.5A @ 1100°C
    - 16.0V, 8.0A @ 1200°C

This document is the property of HeatWave Labs. Its contents may not be reproduced or distributed without express written permission of HeatWave Labs.

UNLESS OTHERWISE SPECIFIED  
ALL DIMENSIONS ARE IN INCHES  
TOLERANCES ARE:  
xxx = ±.003    xx = ±.020  
xxxx = ±.0015  
FINISH 63 MICRONS  
ANGLES 0 DEGREE 30 MINUTES  
EDGES AND CORNERS .015 R MAX

MATERIAL

DD NOT SCALE DRAWING

Qty.	Part #	Description	Item #
1	104791	Center Adjustment Tool	4
1	104758-XX	Heater Cover	3
1	104757-XX	Front Heat Shield	2
1	104762	4.5 CFF Mounted $\varnothing 1.0$ Htr. Assy.	1

**HeatWave Labs, Inc.**  
195 Aviation Way, Suite 100 (831) 722-9081  
Watsonville, Ca. 95076 Fax: (831) 722-5491  
Website: www.ca.thode.com

BY	DATE
ENGR	5/20/08

SIZE	Code Code	DWG. NO.	REV
A	1VAN4	104759	-
SCALE: 0.35X			SHEET: 1/1