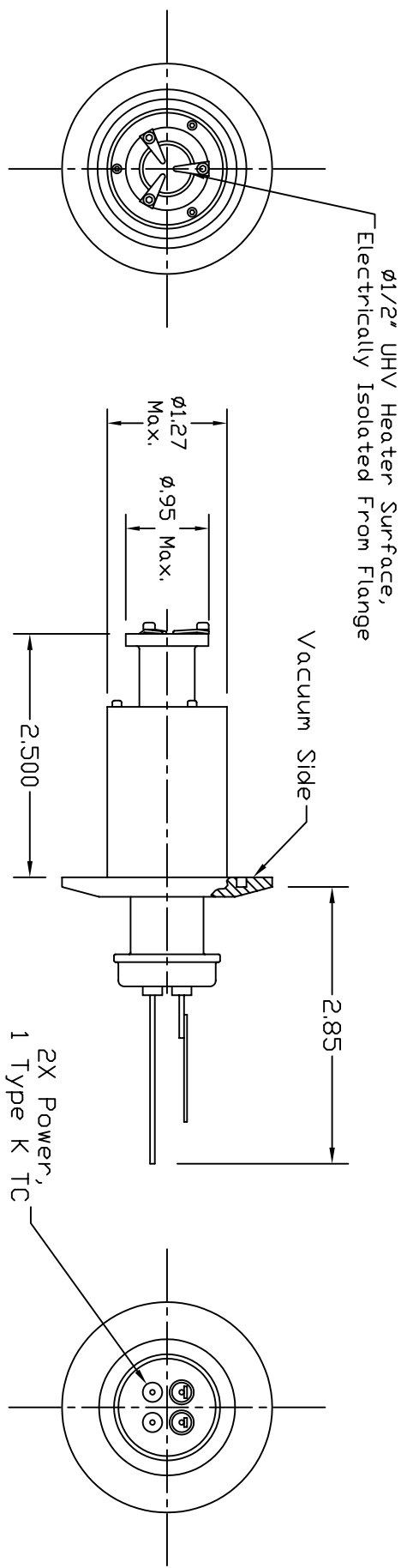


Dash #	Next Assembly
-	-

REVISIONS			
REV	DESCRIPTION	DATE	APPROVED



- Notes:
- Estimated operation:
 - 5.8V, 2.1A @ 900°C
 - 7.8V, 2.4A @ 1000°C
 - 9.8V, 2.8A @ 1100°C
 - 12.1V, 3.2A @ 1200°C

This document is the property of HeatWave Labs. Its contents may not be reproduced or distributed without express written permission of HeatWave Labs.

UNLESS OTHERWISE SPECIFIED
ALL DIMENSIONS ARE IN INCHES.
TOLERANCES ARE:
XXX = ±.005 XX = ±.020
XXXX = ±.0005
FINISH 63 MICRONS
ANGLES 0 DEGREE ±30 MINUTES
EDGES AND CORNERS .005 R MAX

MATERIAL
-

DD NOT SCALE DRAWING

Qty.	Part #	Description	Item #
1	104550	101491-04 Mounted To NW40 KF	-

BY DATE

ENGR M.Curtis 2-10-08

SIZE A Coge Code 1VAN4 DWG. NO. 104540 REV -

THIRD ANGLE PROJECTION SCALE: 0.6x SHEET: 1/1

HeatWave Labs, Inc.
195 Aviation Way, Suite 100 (831) 722-9081
Watsonville, Ca. 95076 Fax: (831) 722-5491
Website: www.athode.com

101491-04 Mounted To NW40 KF