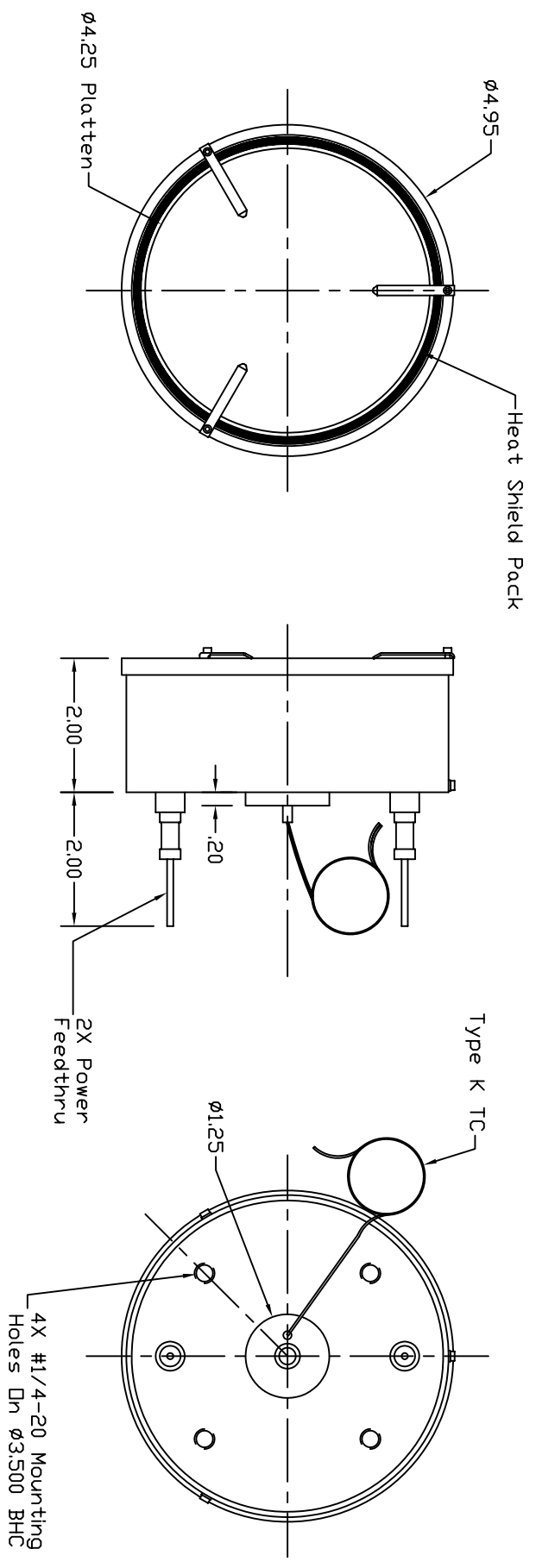


REVISIONS			
REV	DESCRIPTION	DATE	APPROVED



- Notes:
- Estimated Operation:
 12V, 15A @ 800°C
 15V, 17A @ 1000°C
 20V, 25A @ 1200°C

This document is the property of HeatWave Labs. Its contents may not be reproduced or distributed without express written permission of HeatWave Labs.

UNLESS OTHERWISE SPECIFIED
 ALL DIMENSIONS ARE IN INCHES.
 TOLERANCES ARE:
 .XXX = ±.005 .XX = ±.020
 .XXXX = ±.0005
 FINISH 63 MICRONDICHES
 ANGLES 0 DEGREE ±30 MINUTES
 EDGES AND CORNERS .065 R MAX

MATERIAL
 -

DD NOT SCALE DRAWING

Qty.	Part #	Description	Item #
1	103393-02	Ø4 UHV Heater Assembly	-

BY DATE

HeatWave Labs, Inc.
 195 Aviation Way, Suite 100 (831) 722-9081
 Watsonville, Ca. 95076 Fax: (831) 722-5491
 Website: www.ca.thermal.com

Ø4 UHV Heater

SIZE FSCN ND. DWG. NO. 104454 REV -
 A

THIRD ANGLE PROJECTION SCALE: 0.4X SHEET: 1/1