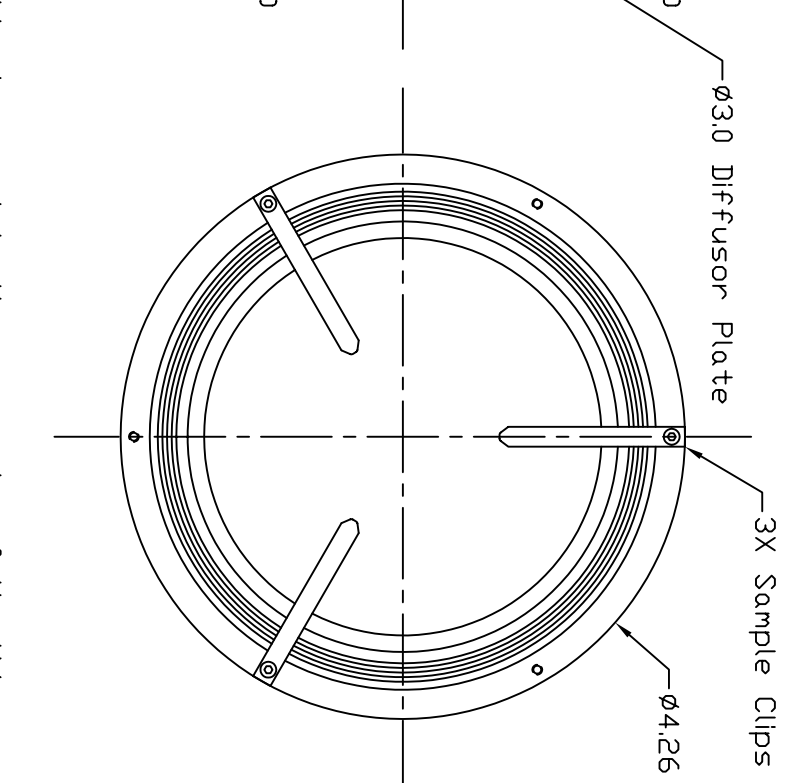
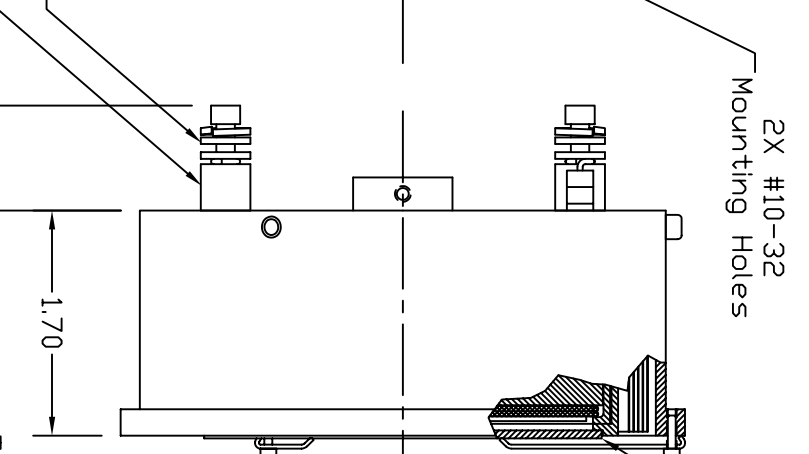
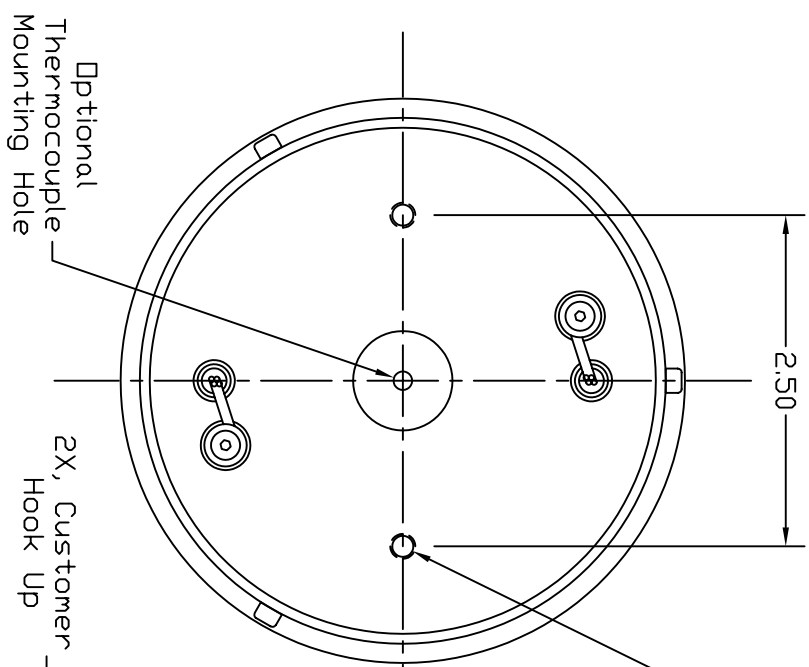


Dash #	Next Assembly
-	-

REV	DESCRIPTION	DATE	APPROVED



This document is the property of HeatWave Labs. Its contents may not be reproduced or distributed without express written permission of HeatWave Labs.

- Notes:
- Estimated operation:  
 104248-01  
 12.1V, 35.4A @ 800°C  
 16.8V, 40.0A @ 1000°C  
 20.3V, 45.0A @ 1200°C  
 104248-02  
 10.5V, 36.8A @ 800°C  
 15.2V, 44.0A @ 1000°C  
 19.8V, 51.8A @ 1200°C
  - This assembly uses the optional thermocouple part # 101689-07.

Qty.	Part #	Description	Item #
1	104249-02	ø3.0 UHV Heater Assy.	1
-	104249-01	ø3.0 D2/UHV Heater Assy.	1

**HeatWave Labs, Inc.**  
 195 Aviation Way, Suite 100 (831) 722-9081  
 Watsonville, Ca. 95076 Fax: (831) 722-5491  
 Website: www.ca.thermal.com

UNLESS OTHERWISE SPECIFIED ALL DIMENSIONS ARE IN INCHES.	BY	DATE
TOLERANCES ARE: XXX = ±.005 XX = ±.020 XXXX = ±.0005	ENGR	DATE
FINISH 63 MICRONS ANGLES 0 DEGREE ±30 MINUTES EDGES AND CORNERS .005 R MAX	M:Cur'tis	5/24/07

MATERIAL	SIZE	Cage Code	DWG. NO.	REV
-	A	1YAN4	104248	-
DD NOT SCALE DRAWING	THIRD ANGLE PROJECTION	SCALE: 0.7X	SHEET: 1/1	