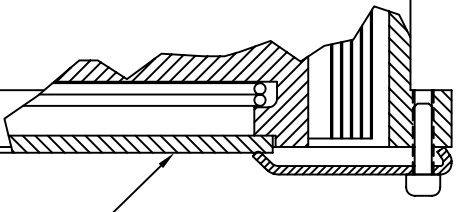
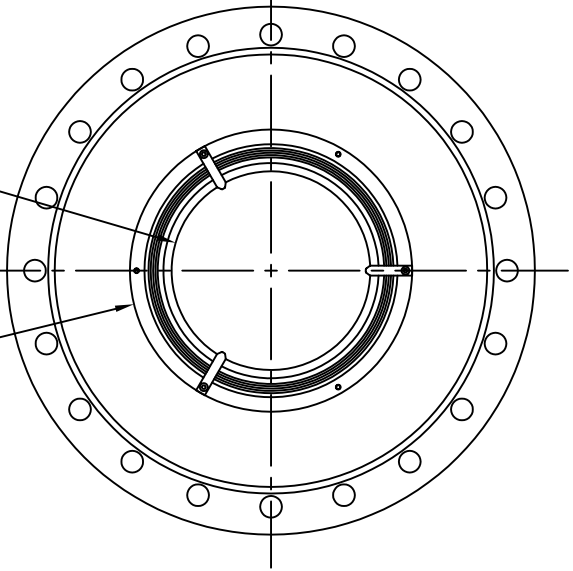
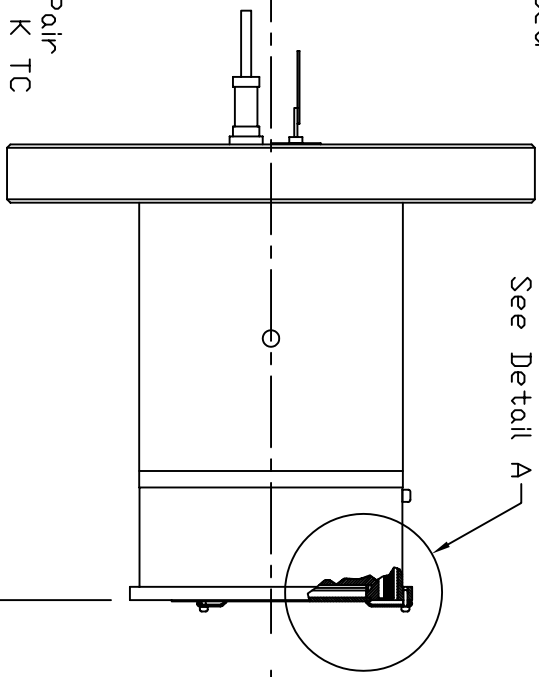
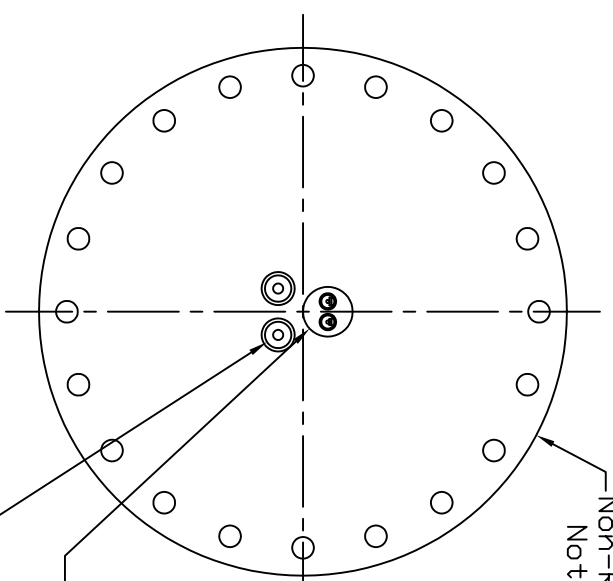


Dash #	Next Assembly
-	-

REV	DESCRIPTION	DATE	APPROVED



Detail A
Scale: 1.5X

Notes:
1.

This document is the property of HeatWave Labs. Its contents may not be reproduced or distributed without express written permission of HeatWave Labs.

UNLESS OTHERWISE SPECIFIED
ALL DIMENSIONS ARE IN INCHES.

TOLERANCES ARE:
XXX = ±.005 XX = ±.020
XXXX = ±.0005
FINISH 63 MICRONDICES
ANGLES 0 DEGREE ±30 MINUTES
EDGES AND CORNERS .005 R MAX

MATERIAL
-

DD NOT SCALE DRAWING

Qty.	Part #	Description	Item #
1	104246	CFF Mounted Ø3.0 Heater Assy.	1

HeatWave Labs, Inc.
195 Aviation Way, Suite 100 (831) 722-9081
Watsonville, Ca. 95076 Fax: (831) 722-5491
Website: www.cathode.com

BY DATE
ENGR M.Curtis 5/18/07

8 CFF Mounted Ø3.0
Ø2/UHV Heater Assembly

SIZE Cage Code DWG. NO. REV
A 1VAN4 104241 -

THIRD ANGLE PROJECTION SCALE: 0.35X SHEET: 1/1