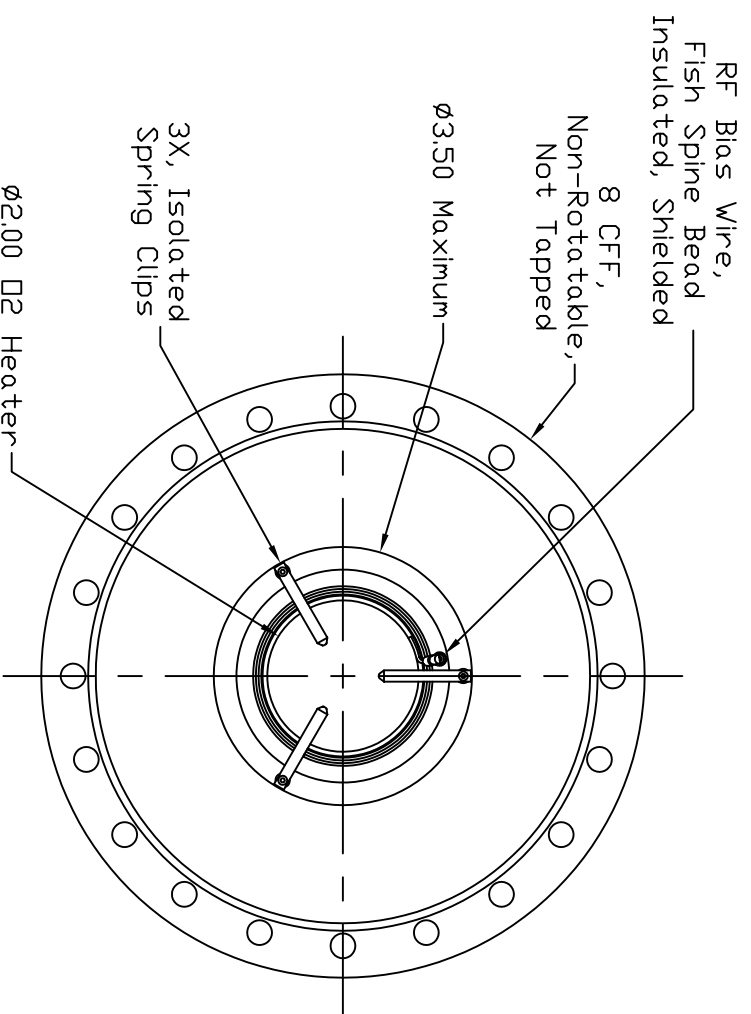
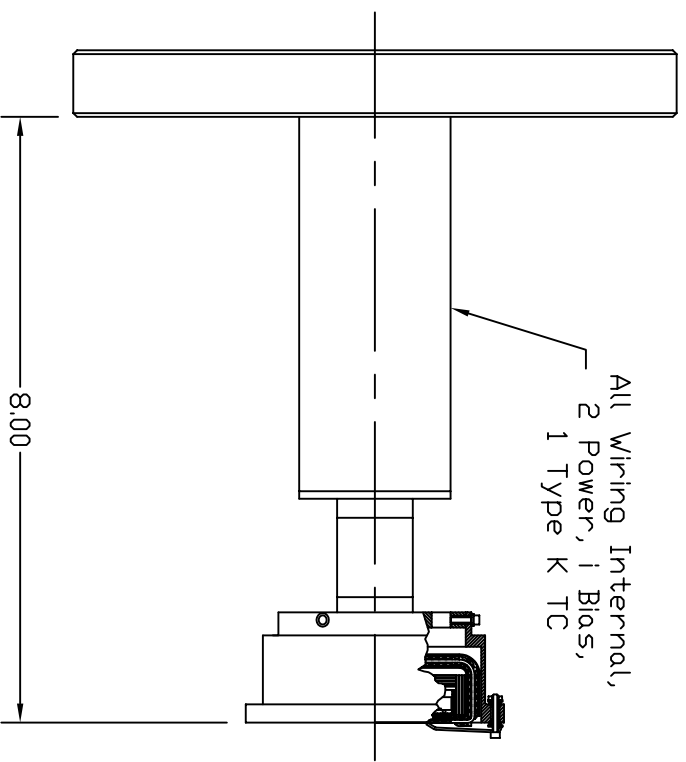


| | |
|--------|---------------|
| Dash # | Next Assembly |
| - | - |

| REV | DESCRIPTION | DATE | APPROVED |
|-----|-------------|------|----------|
| | | | |



Notes:
 1. Bias feedthru is ø.050 Cu, capable of 2KV, 25A.

This document is the property of HeatWave Labs. Its contents may not be reproduced or distributed without express written permission of HeatWave Labs.

UNLESS OTHERWISE SPECIFIED
 ALL DIMENSIONS ARE IN INCHES.
 TOLERANCES ARE:
 .XXXX = ±.005 .XX = ±.020
 .XXXXX = ±.0005
 FINISH 63 MICRONS
 ANGLES 0 DEGREE ±30 MINUTES
 EDGES AND CORNERS .005 R MAX

| | |
|----------------------|---|
| MATERIAL | - |
| DD NOT SCALE DRAWING | |

| Qty. | Part # | Description | Item # |
|------|--------|------------------------------|--------|
| 1 | 104127 | 8 CFF Mounted ø2.0 D2 Heater | 1 |

| | | | |
|-------|----------|---------|--|
| DRAWN | | DATE | |
| ENGR | M.Curtis | 3/12/07 | |

| | | | |
|----|--|------|--|
| BY | | DATE | |
| | | | |

| | | | |
|------|-----------|----------|-----|
| SIZE | Cage Code | DWG. NO. | REV |
| A | 1VAN4 | 104115 | - |

| | | |
|------------------------|-------------|--------|
| THIRD ANGLE PROJECTION | SCALE: 0.4X | SHEET: |
|------------------------|-------------|--------|

HeatWave Labs, Inc.
 195 Aviation Way, Suite 100 (831) 722-9081
 Watsonville, Ca. 95076 Fax: (831) 722-5491
 Website: www.ca.thode.com