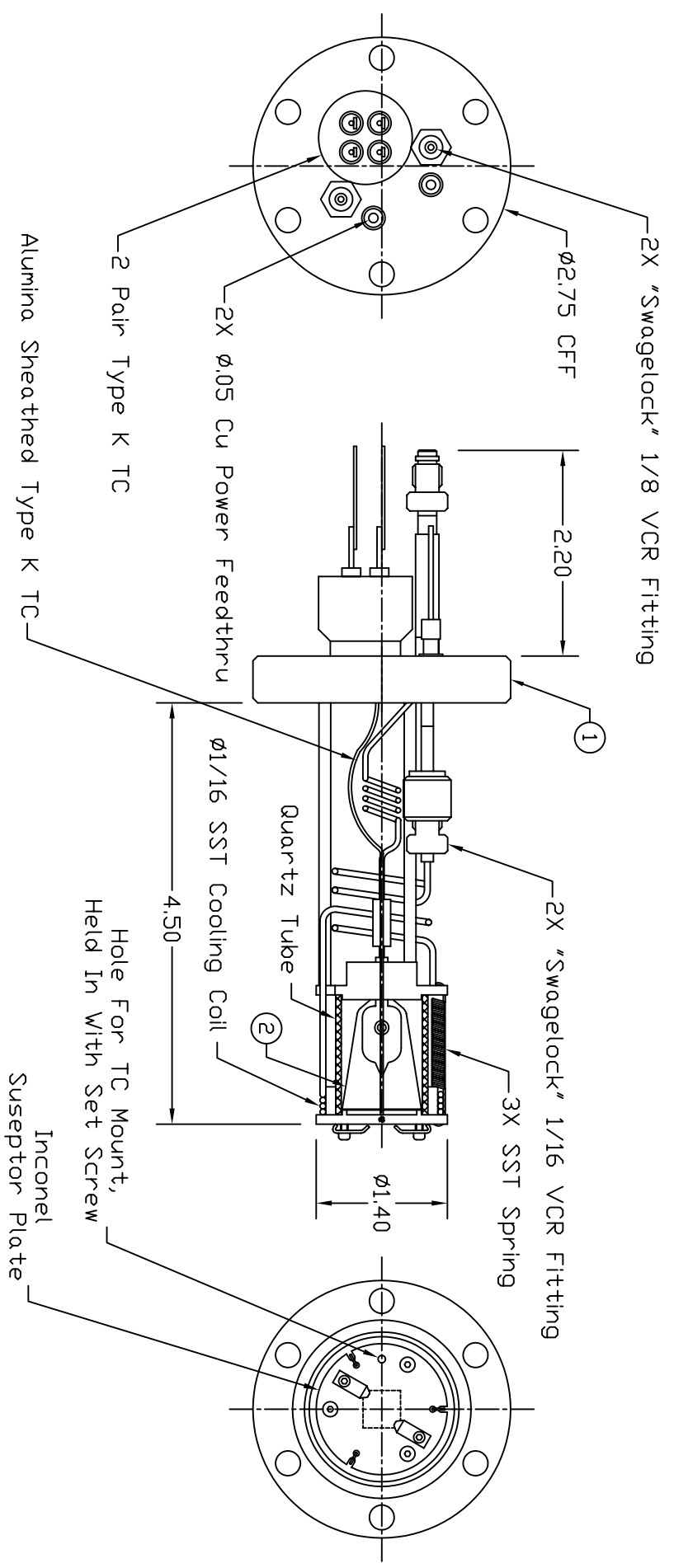


Dash #	Next Assembly
-	-

REV	DESCRIPTION	DATE	APPROVED



- Notes:
1. Second TC hook up on vacuum slide is 2 screws for customer hook up.

This document is the property of HeatWave Labs. Its contents may not be reproduced or distributed without express written permission of HeatWave Labs.

UNLESS OTHERWISE SPECIFIED
ALL DIMENSIONS ARE IN INCHES.

TOLERANCES ARE:
XXXX = ±.005 XX = ±.020
XXXXX = ±.0005
FINISH 63 MICRONS
ANGLES 0 DEGREE ±30 MINUTES
EDGES AND CORNERS .005 R MAX

MATERIAL
-

DD NOT SCALE DRAWING

Qty.	Part #	Description	Item #
1	104213	Heat Reflector	2
1	104183	2 3/4 CFF Mtd Quenching Holder	1

HeatWave Labs, Inc.
195 Aviation Way, Suite 100 (831) 722-9081
Watsonville, Ca. 95076 Fax: (831) 722-5491
Website: www.cathode.com

2 3/4 CFF Mounted Quenching Holder

BY DATE
ENGR M.Curtis 3/15/07

SIZE A
Cage Code 1YAN4
DWG. NO. 104067
SCALE: 0.7X
THIRD ANGLE PROJECTION
SHEET: 1/1