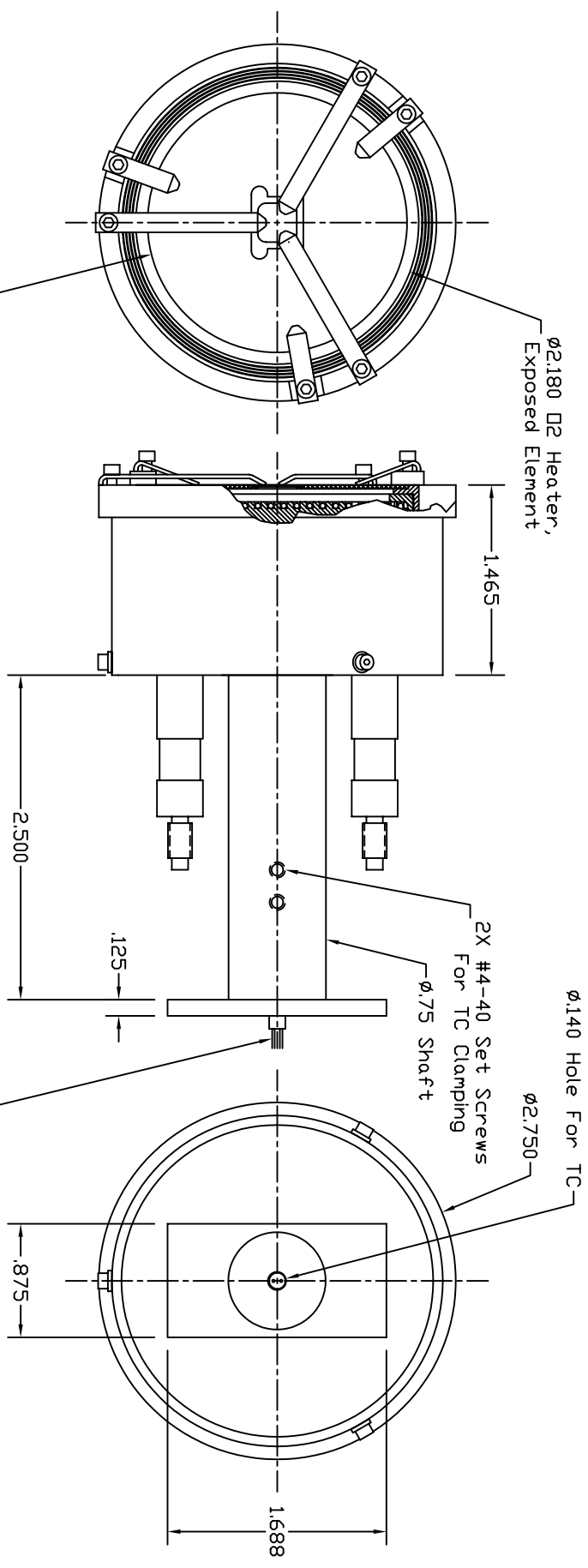


Dash #	Next Assembly
-	-

REV	DESCRIPTION	DATE	APPROVED



Diffusor Plate  
Showing 10mm x 10mm Pocket,  
Custom Clips For Length,  
Corners Cleared For Square Sample

This document is the property of HeatWave Labs. Its contents may not be reproduced or distributed without express written permission of HeatWave Labs.

UNLESS OTHERWISE SPECIFIED  
ALL DIMENSIONS ARE IN INCHES.  
TOLERANCES ARE:  
XXXX = ±.005 XX = ±.020  
FINISH 63 MICROINCHES  
ANGLES 0 DEGREE ±30 MINUTES  
EDGES AND CORNERS .005 R MAX

MATERIAL	-
DD NOT SCALE DRAWING	

Qty.	Part #	Description	Item #
3	103957-XX	Diffusor Plate	3
1	103956	Type K Thermocouple	2
1	103903	0.2.0 D2 Heater Assembly	1

**HeatWave Labs, Inc.**  
195 Aviation Way, Suite 100 (831) 722-9081  
Watsonville, Ca. 95076 Fax: (831) 722-5491  
Website: www.cathode.com

BY DATE  
DRAWN  
ENGR M.Curtis 12/14/06  
SIZE Code Code DWG. NO. 103894  
A 1VAN4

THIRD ANGLE PROJECTION	SCALE: 0.8x	SHEET: 1/1
------------------------	-------------	------------