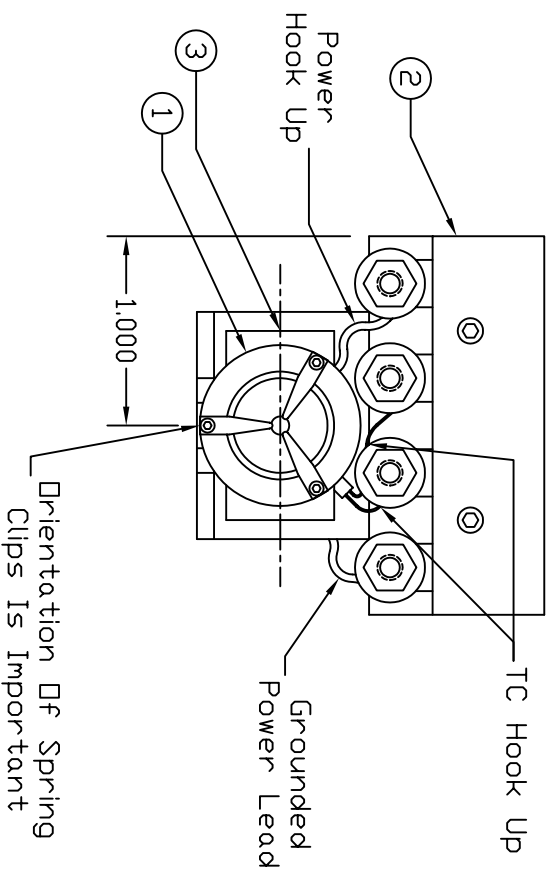
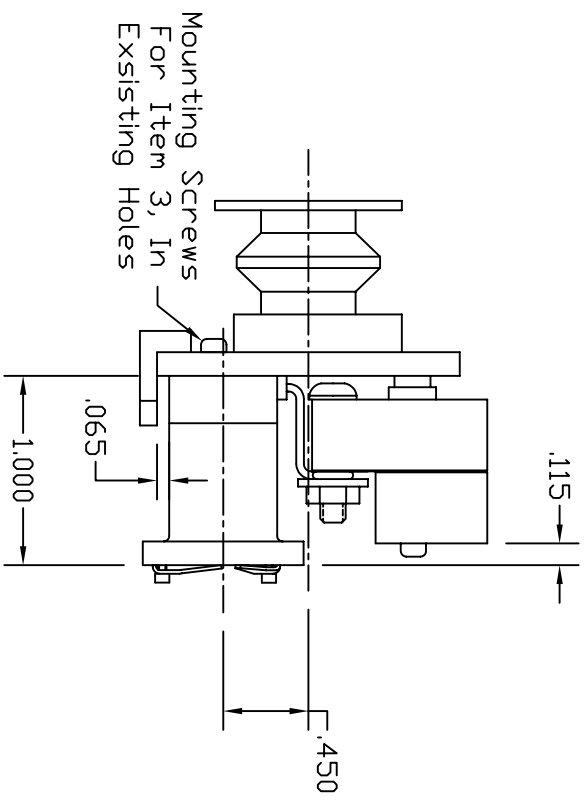


Dash #	Next Assembly
-	-

REVISIONS			
REV	DESCRIPTION	DATE	APPROVED



Qty.	Part #	Description	Item #
1	103847	Type J Thermocouple	4
1	103845	Mounting Block	3
1	103844	Modified Customer Supplied Stage	2
1	103843	Modified 101491-04 Heater Assy.	1

HeatWave Labs, Inc.
 195 Aviation Way, Suite 100 (831) 722-9081
 Watsonville, Ca. 95076 Fax: (831) 722-5491
 Website: www.ca.thermal.com

BY	DATE	SIZE	Cage Code	DWG. NO.	REV
ENGR	11/15/06	A	1VAN4	103838	-

Modified 101491-04
 Mounted To Cust. Stage

THIRD ANGLE PROJECTION SCALE: 1x SHEET: 1/1

Notes:
 1. This document is the property of HeatWave Labs. Its contents may not be reproduced or distributed without express written permission of HeatWave Labs.

UNLESS OTHERWISE SPECIFIED
 ALL DIMENSIONS ARE IN INCHES.
 TOLERANCES ARE:
 .XXX = ±.005 .XX = ±.020
 .XXXX = ±.0005
 FINISH 63 MICRONDINGHS
 ANGLES 0 DEGREE ±30 MINUTES
 EDGES AND CORNERS .005 R MAX

MATERIAL
 -
 DD NOT SCALE DRAWING