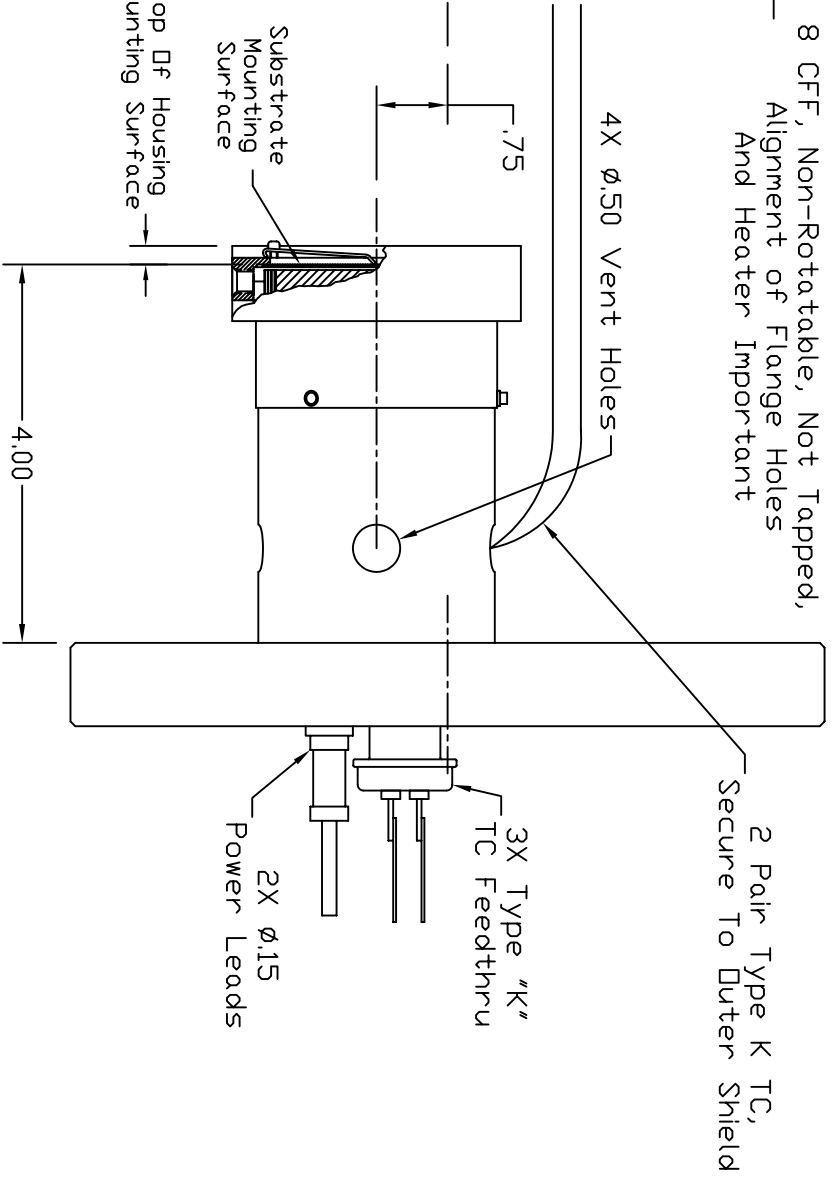
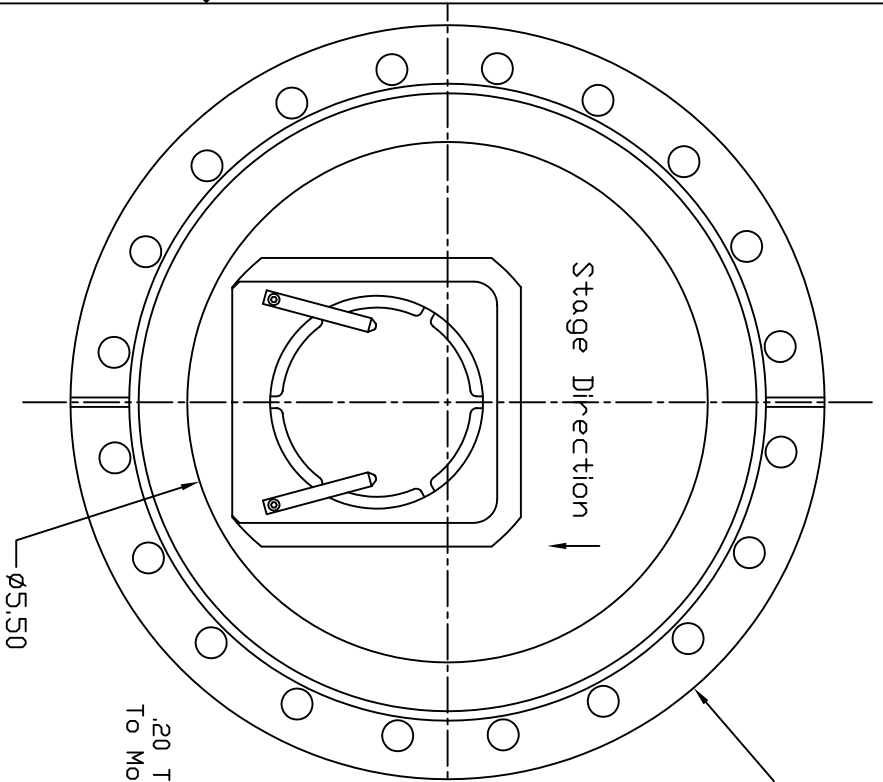


Dash #	Next Assembly
-	-

REV	DESCRIPTION	DATE	APPROVED



- Notes:
- Estimated operation  
 9.8V, 14.5A @ 900° C  
 14.0V, 17.2A @ 1000° C  
 22.2V, 21.2A @ 1200° C

This document is the property of HeatWave Labs. Its contents may not be reproduced or distributed without express written permission of HeatWave Labs.

UNLESS OTHERWISE SPECIFIED  
 ALL DIMENSIONS ARE IN INCHES.  
 TOLERANCES ARE:  
 .XXX = ±.005 .XX = ±.020  
 .XXXX = ±.0005  
 FINISH 63 MICRONDINGERS  
 ANGLES 0 DEGREE ±30 MINUTES  
 EDGES AND CORNERS .005 R MAX

MATERIAL	-
DD NOT SCALE DRAWING	

Qty.	Part #	Description	Item #
1	103648	8 CFF w/Ø2.0 UHV Heater Dock	1

**HeatWave Labs, Inc.**  
 195 Aviation Way, Suite 100 (831) 722-9081  
 Watsonville, Ca. 95076 Fax: (831) 722-5491  
 Website: www.cathode.com

BY DATE  
 ENGR M.Curtis 7/4/06  
 8 CFF Mounted Ø2.0 UHV  
 Heater Dock & Stage Assembly

SIZE	Cage Code	DWG. NO.	REV
A	1VAN4	103621	-
THIRD ANGLE PROJECTION	SCALE: 0.5X	SHEET: 1/1	