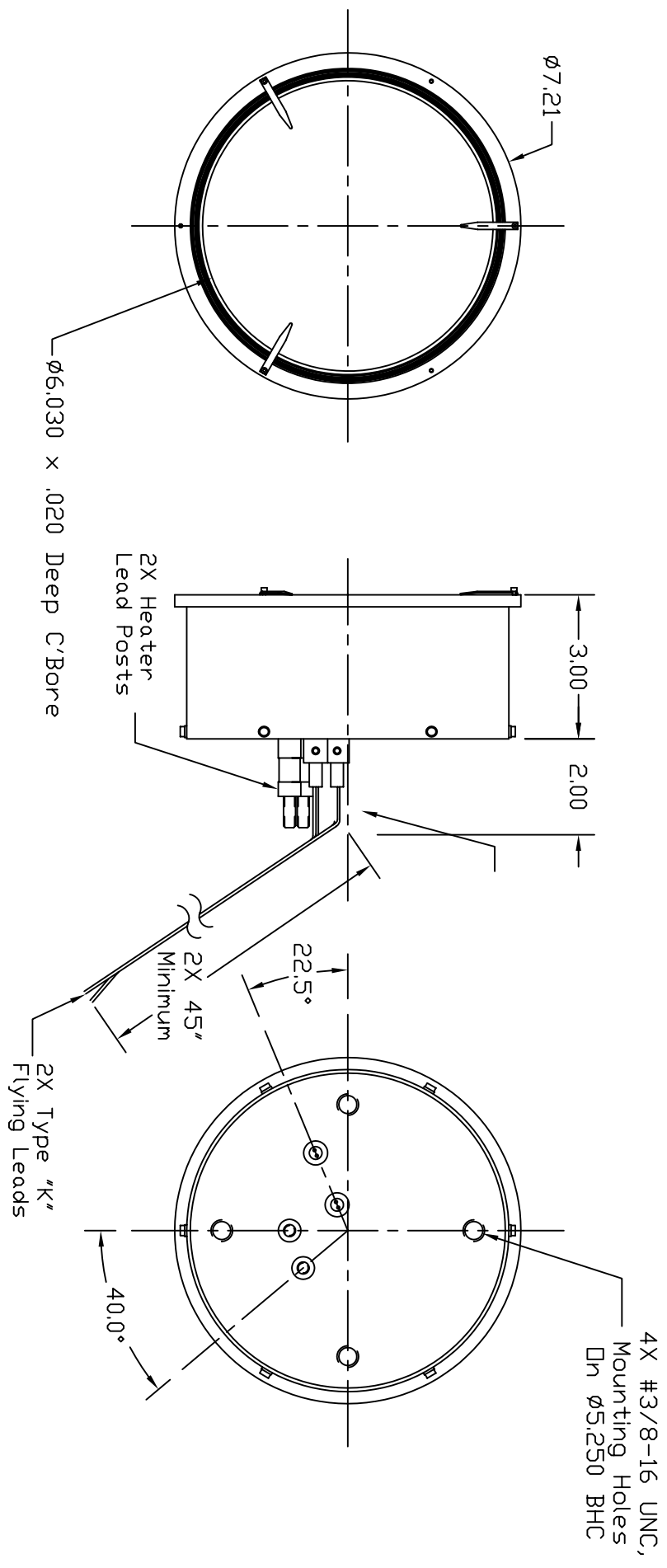


REVISIONS			
REV	DESCRIPTION	DATE	APPROVED



- Notes:
- Estimated operation:
 16V, 20A @ 800°C
 24V, 36A @ 1000°C
 40V, 44A @ 1200°C

This document is the property of HeatWave Labs. Its contents may not be reproduced or distributed without express written permission of HeatWave Labs.

UNLESS OTHERWISE SPECIFIED
 ALL DIMENSIONS ARE IN INCHES.

TOLERANCES ARE:
 .XXX = ±.005 .XX = ±.020
 .XXXX = ±.0005
 FINISH 63 MICROINCHES
 ANGLES 0 DEGREE ±30 MINUTES
 EDGES AND CORNERS .065 R MAX

MATERIAL
 -

DD NOT SCALE DRAWING

Qty.	Part #	Description	Item #
1	103460	Ø6.0 Substrate Heater	1

HeatWave Labs, Inc.
 195 Aviation Way, Suite 100 (831) 722-9081
 Watsonville, Ca. 95076 Fax: (831) 722-5491
 Website: www.ca.thermal.com

BY	DATE	Ø6.0 UHV/Inert Atmosphere Substrate Heater	SIZE	FSCN NO.	DWG. NO.	REV
ENGR	DATE		A	103456	-	
DRAWN			THIRD ANGLE PROJECTION		SCALE: 0.3X	SHEET: 1/1