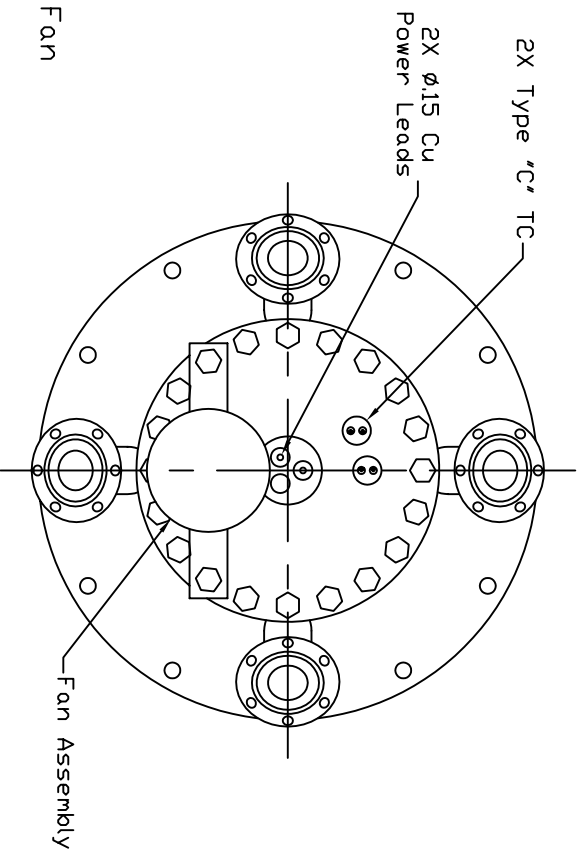
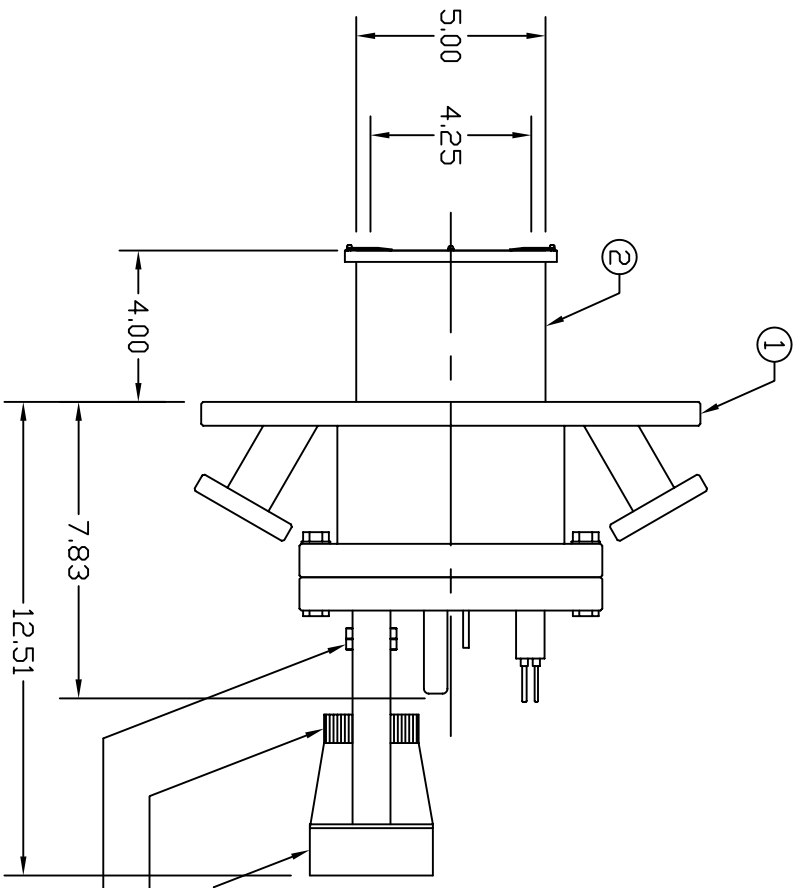


Dash #	Next Assembly
-	-

REVISIONS			
REV	DESCRIPTION	DATE	APPROVED
1	Changed location and size of feedthrus.	3/21/06	MC
2	Added fan assembly.	11/27/06	MC



Notes:
1.

This document is the property of HeatWave Labs. Its contents may not be reproduced or distributed without express written permission of HeatWave Labs.

UNLESS OTHERWISE SPECIFIED
ALL DIMENSIONS ARE IN INCHES.
TOLERANCES ARE:
XXXX = ±.005 XX = ±.020
FINISH 63 MICRONS
ANGLES 0 DEGREE ±30 MINUTES
EDGES AND CORNERS .005 R MAX

MATERIAL
-

DD NOT SCALE DRAWING

Qty.	Part #	Description	Item #
1	103452	Ø4.0 Heater, Mounted On 8 CFF	2
1	103453	Flange Assembly	1

HeatWave Labs, Inc.
195 Aviation Way, Suite 100 (831) 722-9081
Watsonville, Ca. 95076 Fax: (831) 722-5491
Website: www.cathode.com

Adapter Flange,
Heater Assembly

BY	DATE	SIZE	Cage Code	DWG. NO.	REV
ENGR	M.Curtis	2/10/06	A	103454	2
THIRD ANGLE PROJECTION		SCALE: 0.2X	SHEET: 1/1		