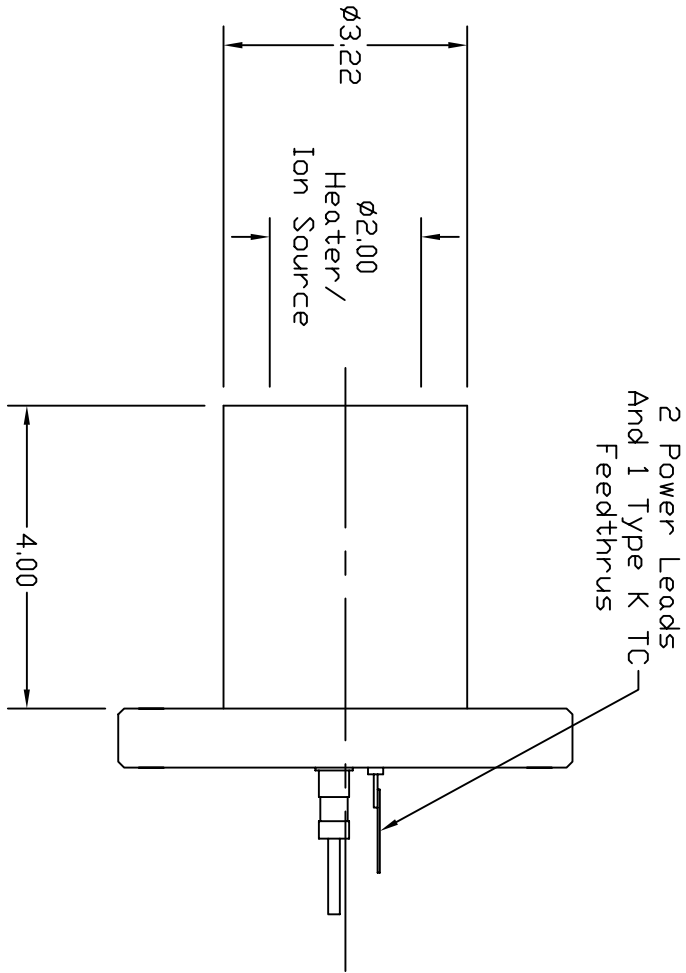
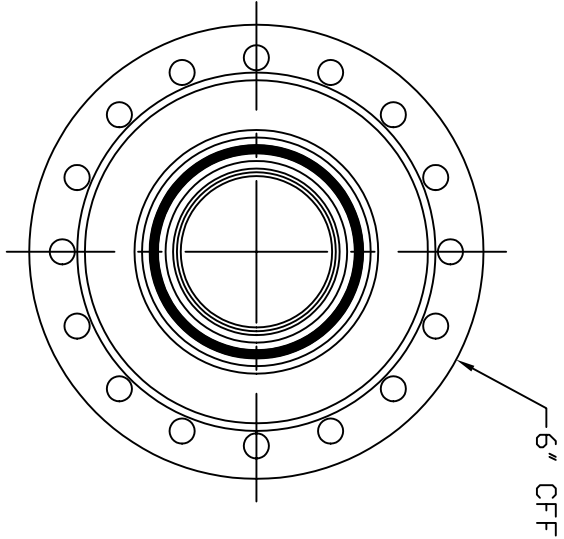


Dash # Next Assembly

- -

REV		DESCRIPTION	DATE	APPROVED
REVISIONS				



Notes:

1. This document is the property of HeatWave Labs. Its contents may not be reproduced or distributed without express written permission of HeatWave Labs.

UNLESS OTHERWISE SPECIFIED  
ALL DIMENSIONS ARE IN INCHES.  
TOLERANCES ARE:  
XXXX = ±.005 XX = ±.020  
XXXXX = ±.0005  
FINISH 63 MICROINCHES  
ANGLES 0 DEGREE ±30 MINUTES  
EDGES AND CORNERS .005 R MAX

MATERIAL

DD NOT SCALE DRAWING

Qty.	1	Part #	103398	Description	Heater/Ion Source	Item #	1
<p><b>HeatWave Labs, Inc.</b>                  195 Aviation Way, Suite 100 (831) 722-9081                  Watsonville, Ca. 95076 Fax: (831) 722-5491                  Website: www.cathode.com</p>							
DRAWN	ENGR	BY	DATE	SIZE A Cage Code 1VAN4 DWG. NO. 103391 REV 1 1300°C, 6 CFF Mounted			
		M.Curtis	10/13/05	SCALE: 0.4X SHEET: 1/1			