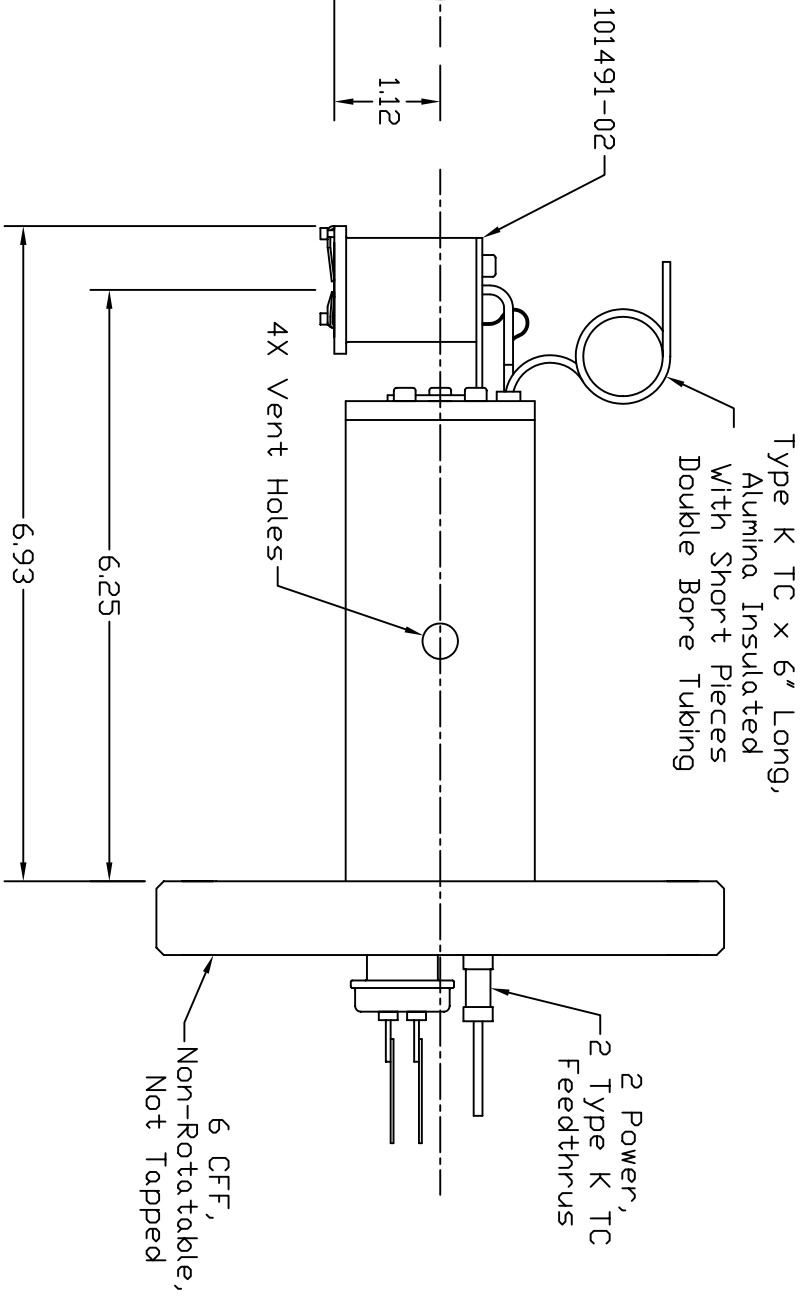
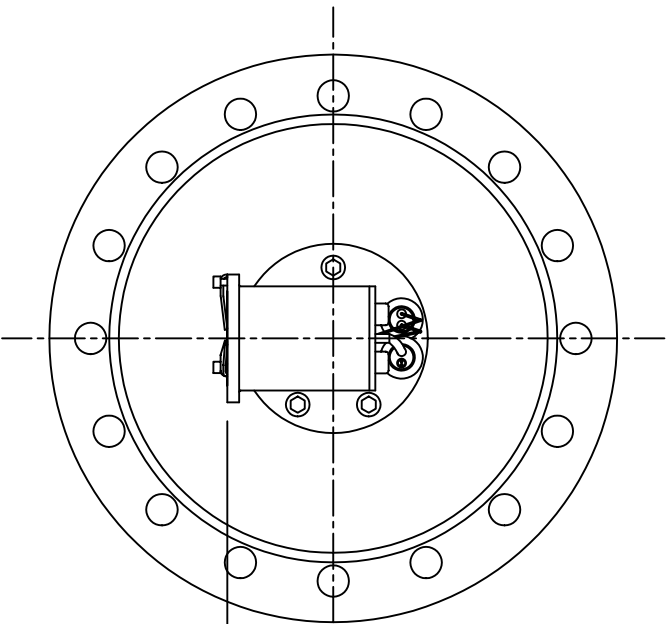


Dash #	Next Assembly
-	-

REV	DESCRIPTION	DATE	APPROVED



- Notes:
1. Assembly fits inside a 3.0 bore.
 2. One TC buried inside heater for temperature control. Second TC available for customer positioning.

This document is the property of HeatWave Labs. Its contents may not be reproduced or distributed without express written permission of HeatWave Labs.

UNLESS OTHERWISE SPECIFIED ALL DIMENSIONS ARE IN INCHES.
TOLERANCES ARE: XXX = ±.005 XX = ±.020 XXXX = ±.0005 FINISH 63 MICROINCHES ANGLES 0 DEGREE ±30 MINUTES EDGES AND CORNERS .005 R MAX
MATERIAL -
DD NOT SCALE DRAWING

Qty.	Part #	Description	Item #
1	103258	6 CFF Mounted 101491-02	-

BY	DATE
ENGR	8/29/05

DRAWN	M.Curtis
-------	----------

SIZE	Cage Code	DWG. NO.	REV
A	1VAN4	103257	-

6 CFF Mounted 101491-02

③ THIRD ANGLE PROJECTION	SCALE: 0.5X	SHEET: 1/1
--------------------------	-------------	------------

HeatWave Labs, Inc.
 195 Aviation Way, Suite 100 (831) 722-9081
 Watsonville, Ca. 95076 Fax: (831) 722-5491
 Website: www.cathode.com