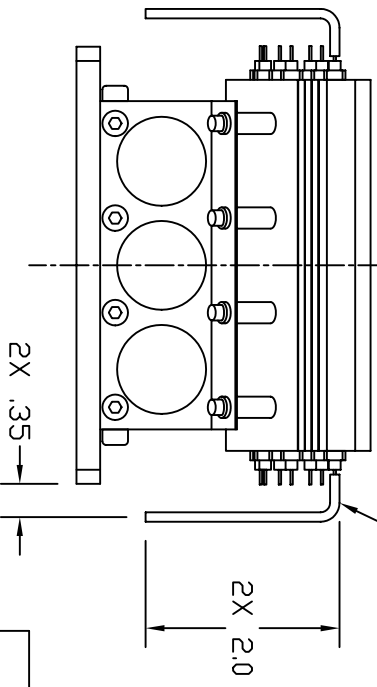
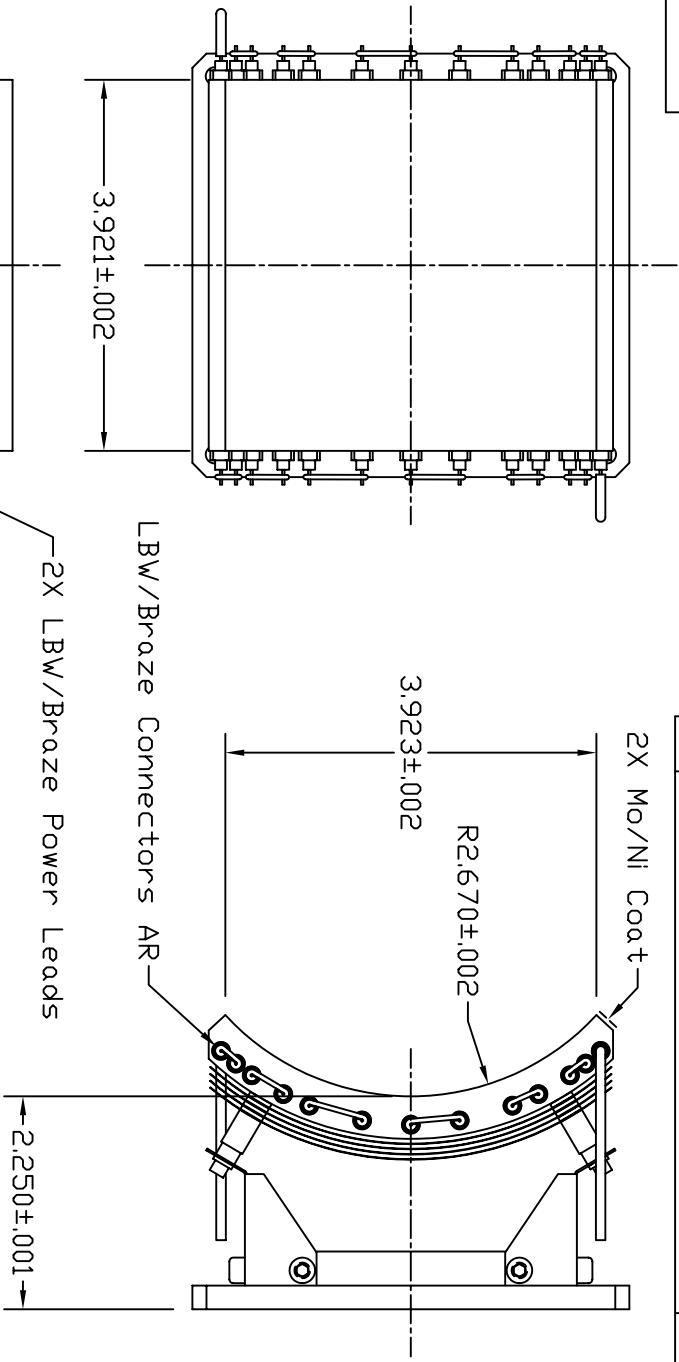


Dash # Next Assembly

- -

REVISIONS

REV	DESCRIPTION	DATE	APPROVED



Notes:  
1.

This document is the property of HeatWave Labs. Its contents may not be reproduced or distributed without express written permission of HeatWave Labs.

UNLESS OTHERWISE SPECIFIED  
ALL DIMENSIONS ARE IN INCHES.  
TOLERANCES ARE:  
XXXX = ±.005 XX = ±.020  
FINISH 63 MICROINCHES  
ANGLES 0 DEGREE ±30 MINUTES  
EDGES AND CORNERS .005 R MAX

MATERIAL

DD NOT SCALE DRAWING

1	103283	Sheet Beam Cathode Assembly	-
Qty.	Part #	Description	Item #
<p><b>HeatWave Labs, Inc.</b> 195 Aviation Way, Suite 100 (831) 722-9081 Watsonville, Ca. 95076 Fax: (831) 722-5491 Website: www.cathode.com</p>			
BY		DATE	
ENGR	M.Curtis	8/30/05	
DRAWN		DATE	
SIZE		DWG. NO.	REV
A		103245	-
Cage Code		SCALE: 0.5X	
1VAN4		SHEET: 1/1	
THIRD ANGLE PROJECTION			

Sheet Beam  
Cathode Assembly