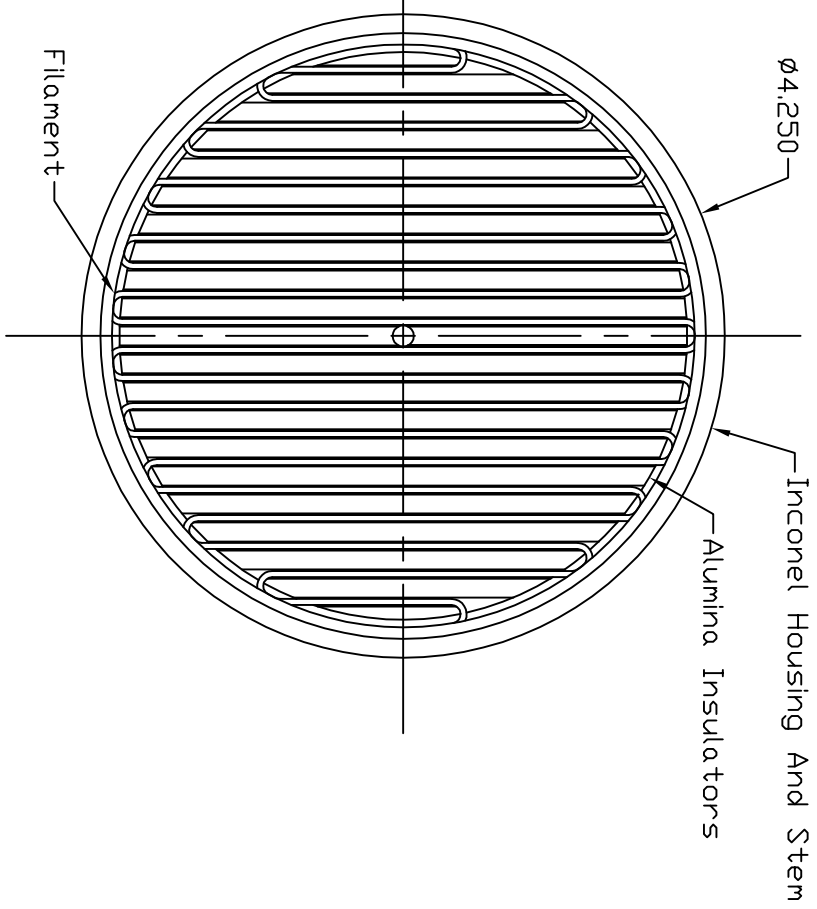
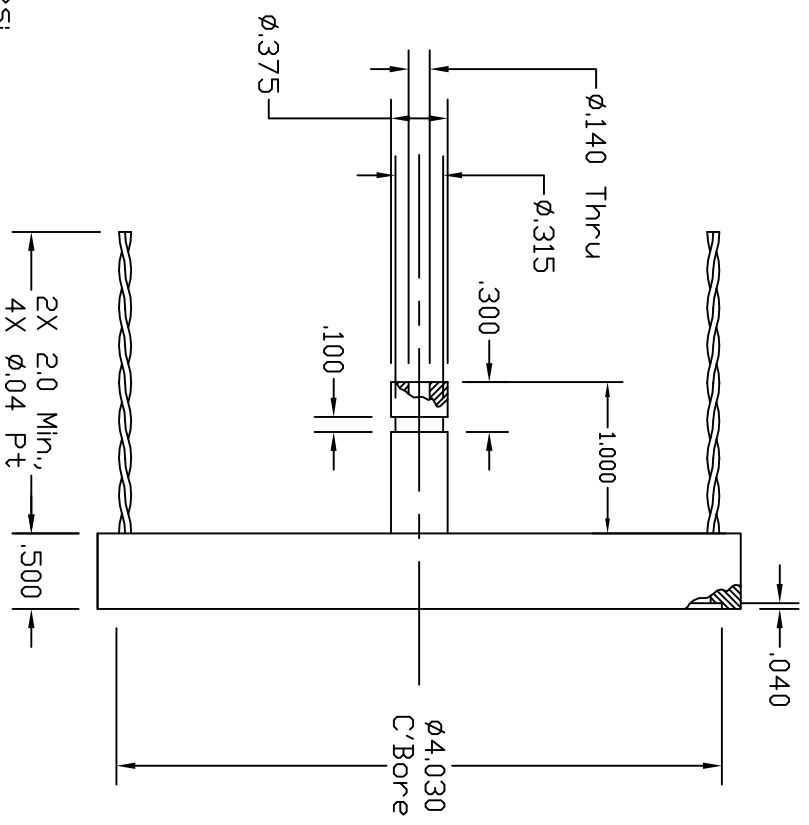


Dash # Next Assembly
- -

Table A

Dash #	Atmosphere	Part #
-01	O2	103165-01
-02	UHV	103165-02

REVISIONS			
REV	DESCRIPTION	DATE	APPROVED
A	Added dash numbers.	9/29/11	MC



- Notes:
- Estimated operation:
 - 01 17.9V, 35.4A @ 800°C
 - 24.8V, 40.0A @ 1000°C
 - 30.0V, 45.0A @ 1200°C
 - 02 12.0V, 32.5A @ 800°C
 - 16.8V, 39.1A @ 1000°C
 - 20.2V, 43.1A @ 1200°C

This document is the property of HeatWave Labs. Its contents may not be reproduced or distributed without express written permission of HeatWave Labs.

UNLESS OTHERWISE SPECIFIED, ALL DIMENSIONS ARE IN INCHES.
TOLERANCES ARE:
XXXX = $\pm .005$ XX = $\pm .020$
FINISH 63 MICRONDINGHES
ANGLES 0 DEGREE ± 30 MINUTES
EDGES AND CORNERS .005 R MAX

MATERIAL
Noted

DD NOT SCALE DRAWING

1	103165	$\phi 4.0$ O2/UHV Heater	-
Qty.	Part #	Description	Item #

HeatWave Labs, Inc.
 195 Aviation Way, Suite 100 (831) 722-9081
 Watsonville, Ca. 95076 Fax: (831) 722-5491
 Website: www.ca.thode.com

BY DATE
 ENGR M.Curtis when

$\phi 4.0$ O2/UHV Heater,
Exposed Element

SIZE Cage Code DWG. NO. REV
 A 1VAN4 103164 A

THIRD ANGLE PROJECTION SCALE: 08X SHEET: 1/1