

Dash # Next Assembly
- -

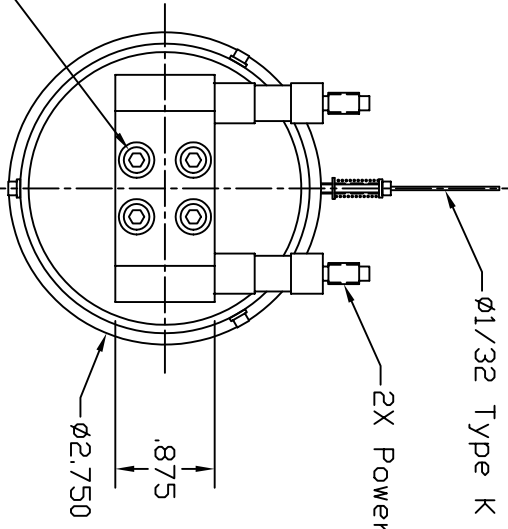
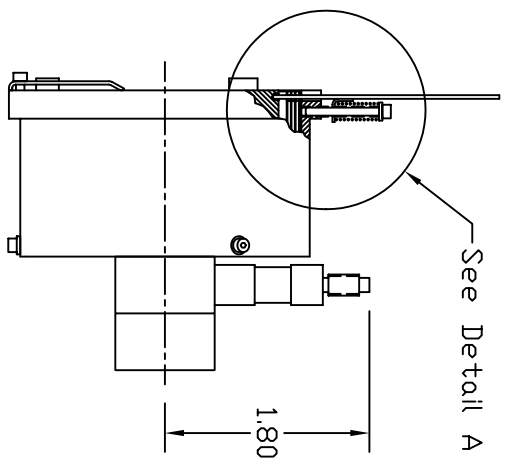
REV	DESCRIPTION	DATE	APPROVED

REVISIONS

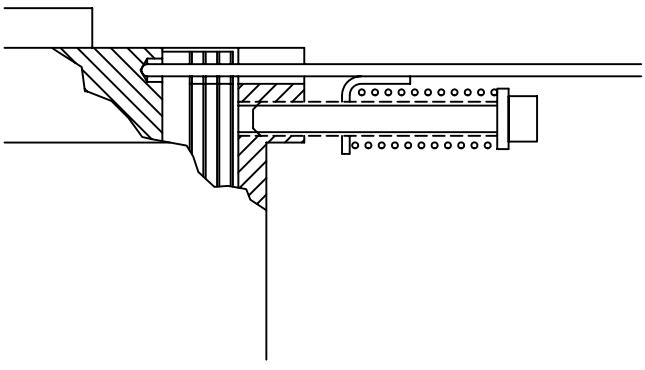
See Detail A

Ø1/32 Type K TC

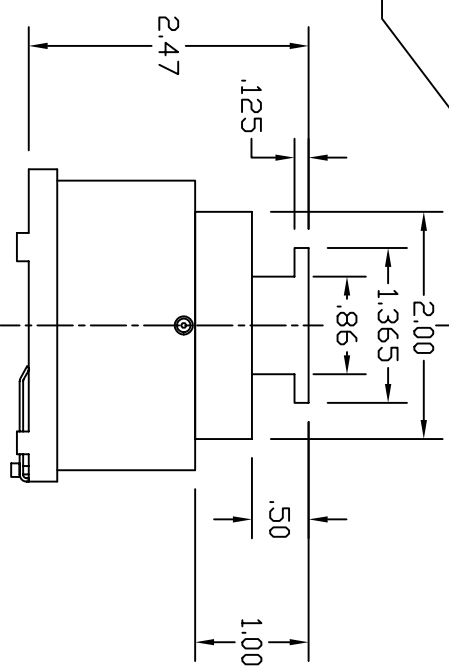
2X Power Hook Up



4X #6-32 SHCS



Detail A
Scale: 2X



UNLESS OTHERWISE SPECIFIED
ALL DIMENSIONS ARE IN INCHES.
TOLERANCES ARE:
XXXX = ±.005 XX = ±.020
XXXXX = ±.0005
FINISH 63 MICROINCHES
ANGLES 0 DEGREE ±30 MINUTES
EDGES AND CORNERS .065 R MAX

MATERIAL
-

DO NOT SCALE DRAWING

1	103149	Ø2.0 D2 Heater Assembly	-
Qty.	Part #	Description	Item #
<p>HeatWave Labs, Inc. 195 Aviation Way, Suite 100 (831) 722-9081 Watsonville, Ca. 95076 Fax: (831) 722-5491 Website: www.ca.thode.com</p>			
BY		DATE	
DRAWN	M.Curtis	7/15/05	
ENGR			
SIZE		DWG. NO.	REV
A		103143	-
Cage Code		1YAN4	
Ø2.0 D2 Heater Assembly		SCALE: 0.6X	SHEET: 1/1

This document is the property of HeatWave Labs. Its contents may not be reproduced or distributed without express written permission of HeatWave Labs.