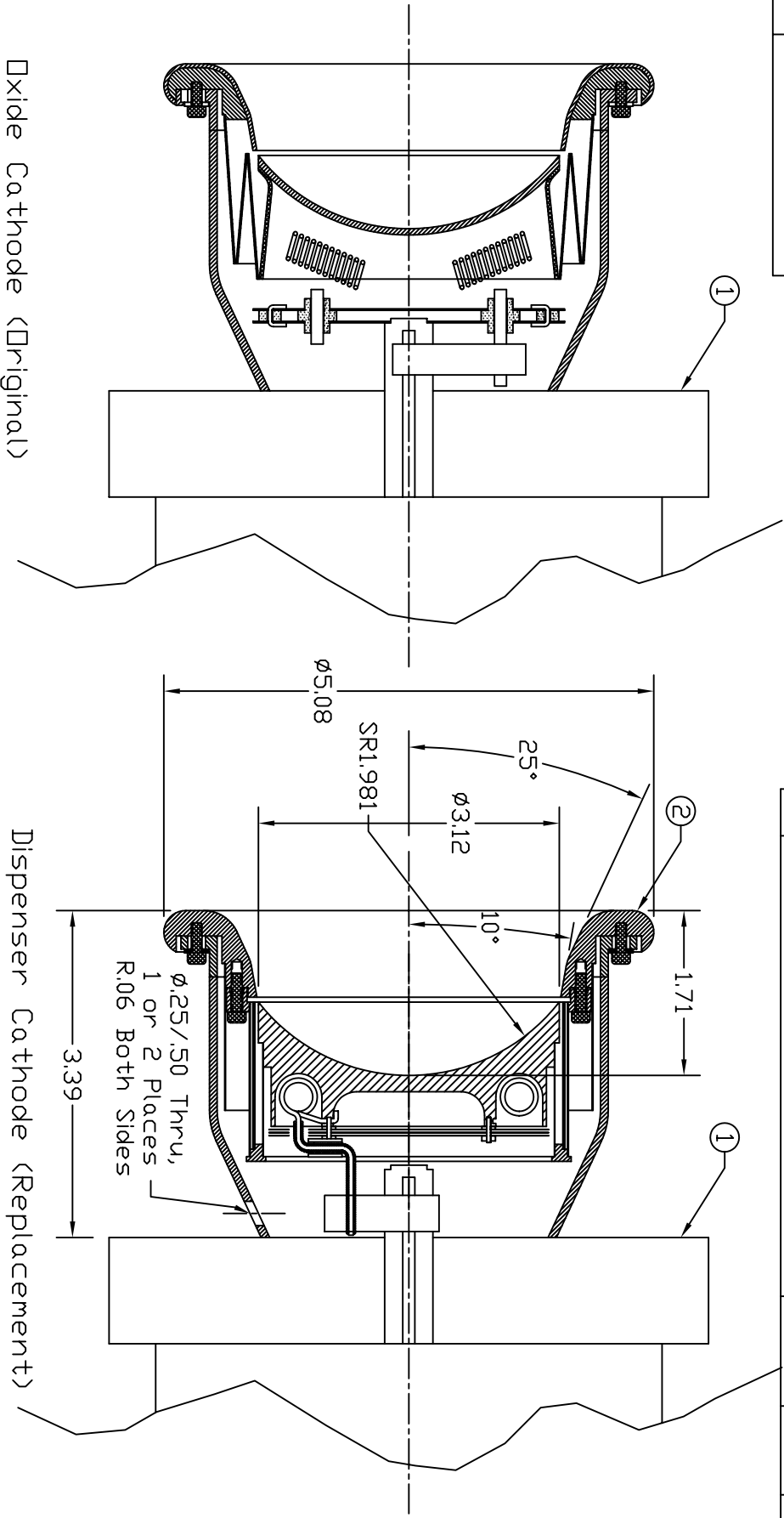


Dash # Next Assembly
- -

REV	DESCRIPTION	DATE	APPROVED
REVISIONS			



Oxide Cathode (Original)

Dispenser Cathode (Replacement)

Notes:
1.

This document is the property of HeatWave Labs. Its contents may not be reproduced or distributed without express written permission of HeatWave Labs.

UNLESS OTHERWISE SPECIFIED
ALL DIMENSIONS ARE IN INCHES.
TOLERANCES ARE:
XXXX = ±.005 XX = ±.020
FINISH 63 MICRONDINCHES
ANGLES 0 DEGREE ±30 MINUTES
EDGES AND CORNERS .005 R MAX

MATERIAL
-

DD NOT SCALE DRAWING

Qty.	Part #	Description	Item #
1	103129	Cathode - Whenelt Assembly	2
1	103128	Gun Housing	1

HeatWave Labs, Inc.
195 Aviation Way, Suite 100 (831) 722-9081
Watsonville, Ca. 95076 Fax: (831) 722-5491
Website: www.cathode.com

BY DATE
DRAWN ENGR M.Curtis 5/31/05
Election Gun

SIZE	Cage Code	DWG. NO.	REV
A	1VAN4	103122	-
THIRD ANGLE PROJECTION SCALE: 0.4X			SHEET: 1/1