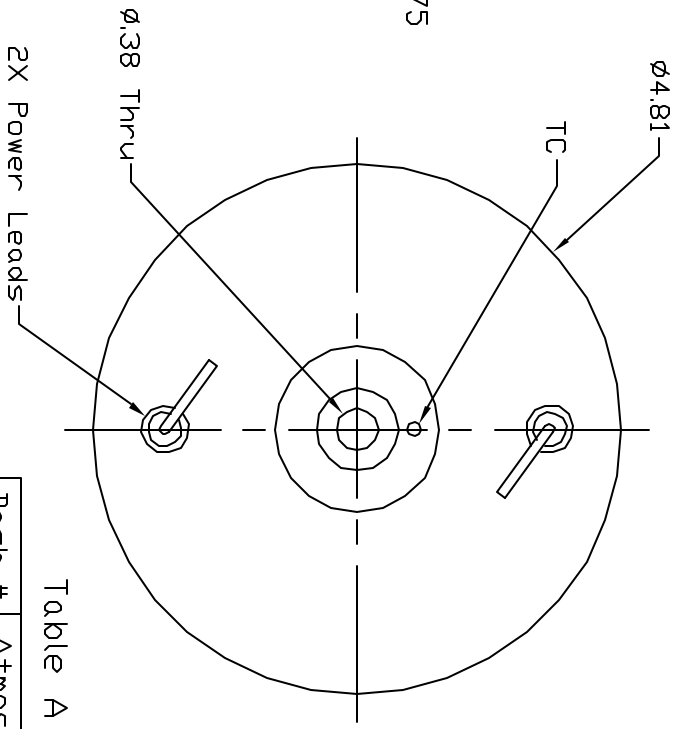
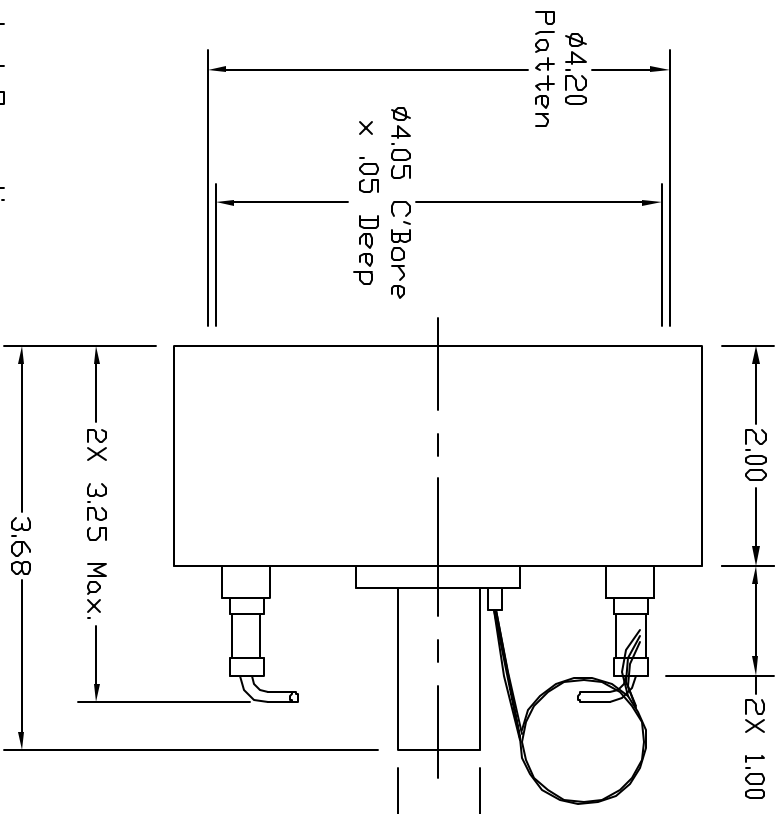


Dash #	Next Assembly
-	-

REVISIONS			
REV	DESCRIPTION	DATE	APPROVED
A	Added dash numbers.	12/29/08	MC



Notes:
 1. Estimated Operation:
 -01
 12V, 15A @ 800°C
 15V, 17A @ 1000°C
 20V, 25A @ 1200°C
 -02
 20.3V, 33.6A @ 800°C
 28.0V, 40.6A @ 1000°C
 38.5V, 50.8A @ 1200°C

2. Assembly will include a 4.0 x .06 thick Moly diffusion plate, no hole.

This document is the property of HeatWave Labs. Its contents may not be reproduced or distributed without express written permission of HeatWave Labs.

Rev	Qty.	Part #	Description	Item #
-02	1	103096-02	4.0 UHV Heater	-
-01	1	103096-01	4.0 UHV Heater	-

Dash #	Atmosphere
-01	UHV, Moly
-02	Same w/Pt Fil.

UNLESS OTHERWISE SPECIFIED
 ALL DIMENSIONS ARE IN INCHES
 TOLERANCES ARE:
 .xxx = ±.003 .xx = ±.020
 .xxxx = ±.0015
 FINISH 63 MICRONS
 ANGLES 0 DEGREE 30 MINUTES
 EDGES AND CORNERS .015 R MAX

HeatWave Labs, Inc.
 195 Aviation Way, Suite 100 (831) 722-9081
 Watsonville, Ca. 95076 Fax: (831) 722-5491
 Website: www.ca.cathode.com

BY: _____ DATE: _____
 ENGR: M. Curtis 5/9/05

4.0 UHV Heater

MATERIAL: -
 DD NOT SCALE DRAWING

SIZE: Code Code DWG. NO. 103095 REV A
 A 1VAN4
 HARD ANGLE PROJECTION SCALE: 0.6x SHEET: 1/1