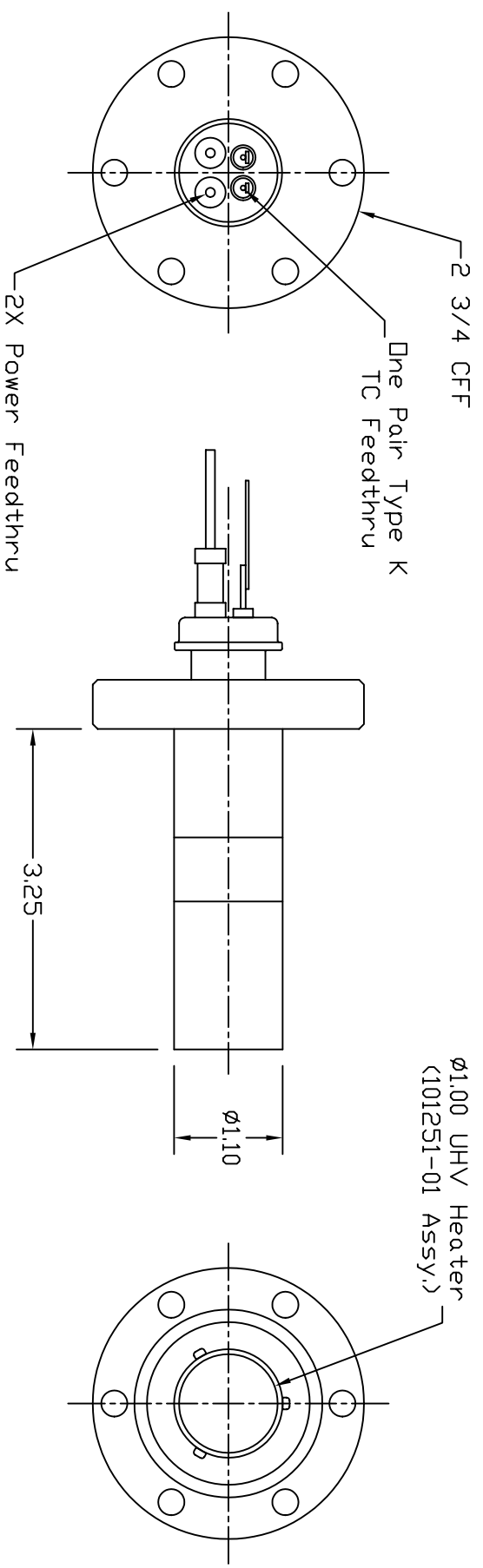


Dash #	Next Assembly
-	-

REVISIONS			
REV	DESCRIPTION	DATE	APPROVED



Notes:  
 1. Estimated operation:  
 10.9V, 6.6A @ 1000°C  
 16.0V, 8.0A @ 1200°C

This document is the property of HeatWave Labs. Its contents may not be reproduced or distributed without express written permission of HeatWave Labs.

UNLESS OTHERWISE SPECIFIED  
 ALL DIMENSIONS ARE IN INCHES.  
 TOLERANCES ARE:  
 .XXX = ±.005    .XX = ±.020  
 .XXXX = ±.0005  
 FINISH 63 MICRONS  
 ANGLES 0 DEGREE ±30 MINUTES  
 EDGES AND CORNERS .005 R MAX

MATERIAL  
 -

DD NOT SCALE DRAWING

1	103046	Flange Mounted 101251-01	-
Qty.	Part #	Description	Item #
<p><b>HeatWave Labs, Inc.</b>                  195 Aviation Way, Suite 100 (831) 722-9081                  Watsonville, Ca. 95076 Fax: (831) 722-5491                  Website: www.ca.thode.com</p>			
BY		DATE	
ENGR	M.Curtis	3/21/05	
DRAWN			
<p>Flange Mounted 101251-01</p>			
SIZE	Cage Code	DWG. NO.	REV
A	1VAN4	103039	-
THIRD ANGLE PROJECTION		SCALE: 0.6x	SHEET: 1/1