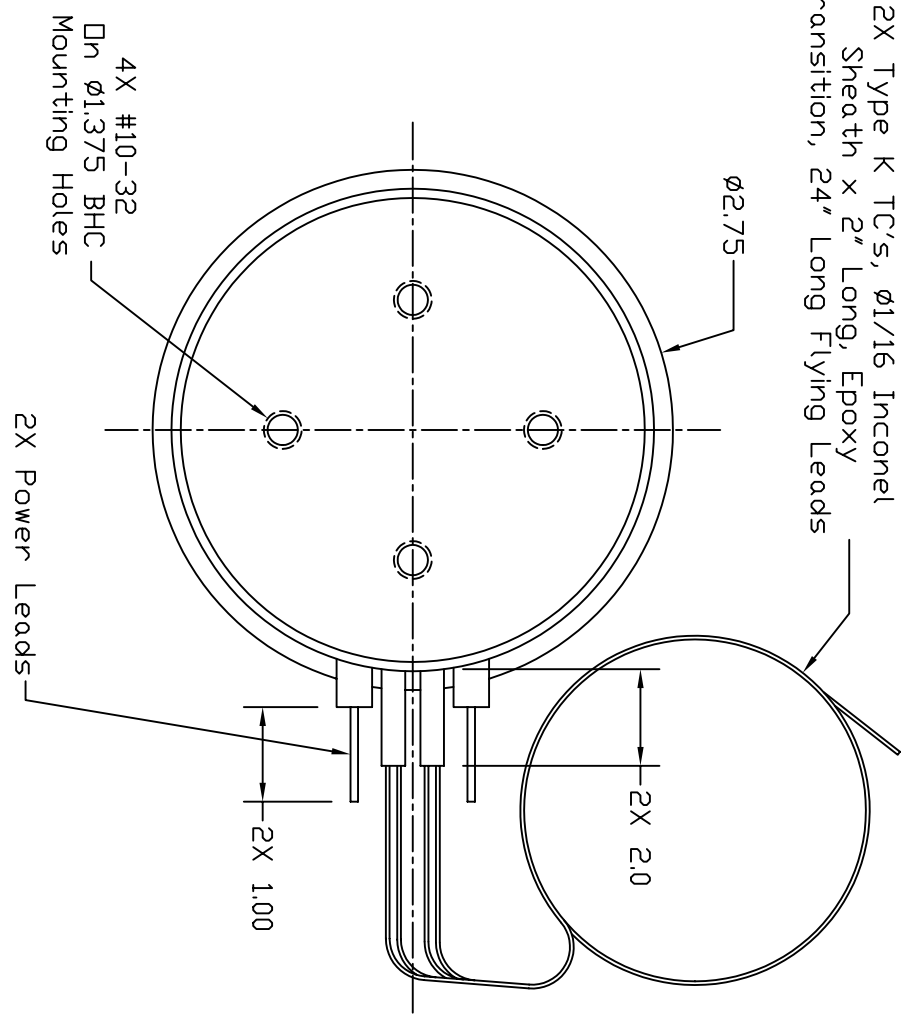
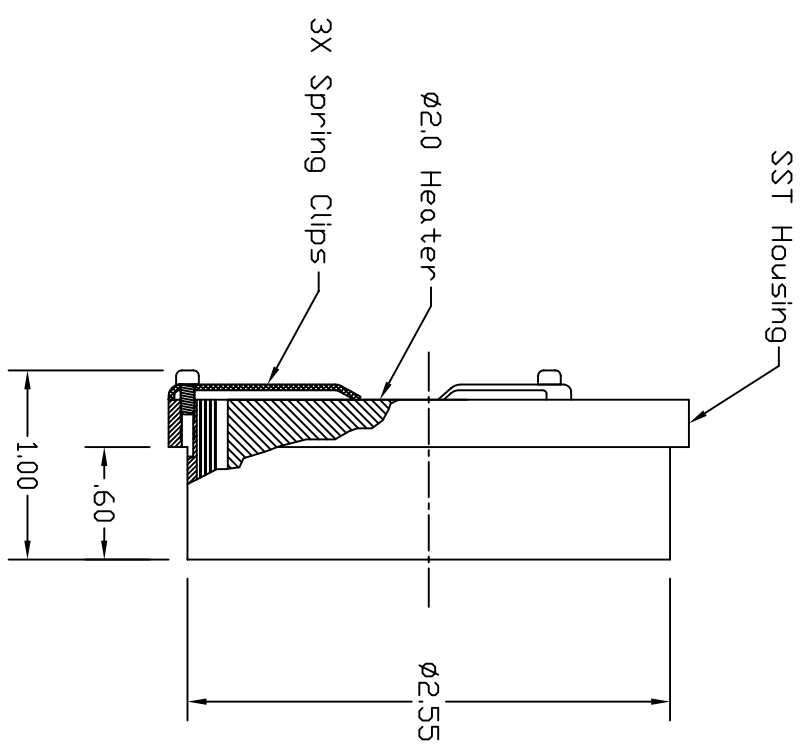


Dash #	Next Assembly
-	-

REV	DESCRIPTION	DATE	APPROVED

2X Type K TC's,  $\phi 1/16$  Inconel Sheath x 2" Long, Epoxy Transition, 24" Long Flying Leads



Notes:  
 1. Estimated operation:  
 12V, 20A @ 1000°C

This document is the property of HeatWave Labs. Its contents may not be reproduced or distributed without express written permission of HeatWave Labs.

UNLESS OTHERWISE SPECIFIED  
 ALL DIMENSIONS ARE IN INCHES.  
 TOLERANCES ARE:  
 .XXX =  $\pm .005$  XX =  $\pm .020$   
 .XXXX =  $\pm .0005$   
 FINISH 63 MICRONDINGERS  
 ANGLES 0 DEGREE  $\pm 30$  MINUTES  
 EDGES AND CORNERS .005 R MAX

MATERIAL  
 -  
 DD NOT SCALE DRAWING

Qty.	Part #	Description	Item #
1	103011	$\phi 2.0$ 02/UHV Heater w/Clips	-

DRAWN		BY		DATE	
ENGR	M.Curtis	2/24/05			

SIZE	Cage Code	DWG. NO.	REV
A	1VAN4	102940	-

HeatWave Labs, Inc.  
 195 Aviation Way, Suite 100 (831) 722-9081  
 Watsonville, Ca. 95076 Fax: (831) 722-5491  
 Website: www.ca.thode.com

$\phi 2.0$  02/UHV Sample Heater w/Spring Clips

SCALE: 1x SHEET: 1/1