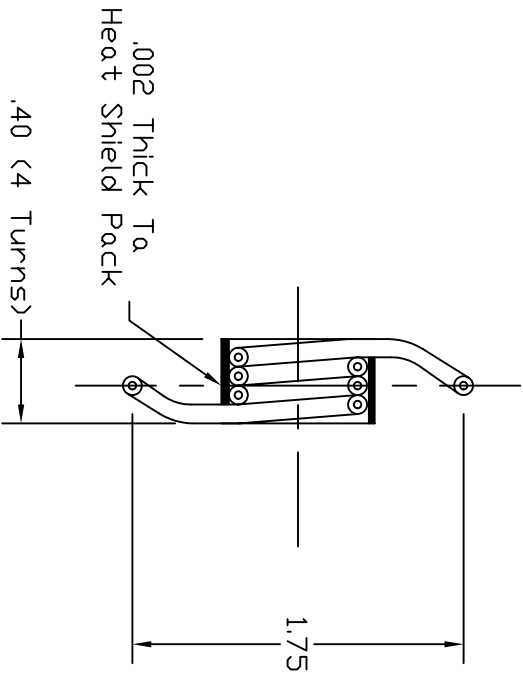
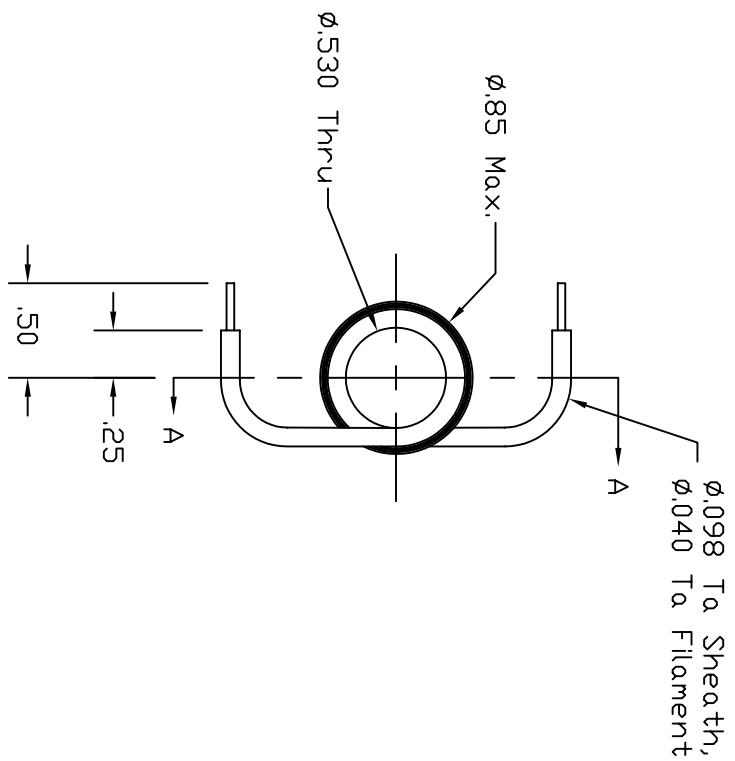


Dash #	Next Assembly
-	-

REVISIONS			
REV	DESCRIPTION	DATE	APPROVED



View A-A



Notes:  
 1. Estimated operation:  
 6.8V, 32A @ 1200°C

This document is the property of HeatWave Labs. Its contents may not be reproduced or distributed without express written permission of HeatWave Labs.

UNLESS OTHERWISE SPECIFIED  
 ALL DIMENSIONS ARE IN INCHES.  
 TOLERANCES ARE:  
 .XXXX =  $\pm .005$  .XX =  $\pm .020$   
 .XXXX =  $\pm .0005$   
 FINISH 63 MICROINCHES  
 ANGLES 0 DEGREE  $\pm 30$  MINUTES  
 EDGES AND CORNERS .005 R MAX

MATERIAL  
 Noted

DO NOT SCALE DRAWING

Qty.	Part #	Description	Item #
		Tube Assembly Heater	

HeatWave Labs, Inc.  
 195 Aviation Way, Suite 100 (831) 722-9081  
 Watsonville, Ca. 95076 Fax: (831) 722-5491  
 Website: www.ca.athode.com

BY	DATE
ENGR	2/18/05

SIZE	Cage Code	DWG. NO.	REV
A	1VAN4	102939	-

THIRD ANGLE PROJECTION SCALE: 1x SHEET: 1/1