

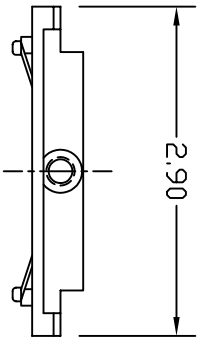
Dash #	Next Assembly
-	102915

REV	DESCRIPTION	DATE	APPROVED
-----	-------------	------	----------

REVISIONS

Table A

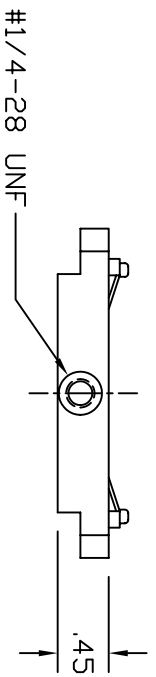
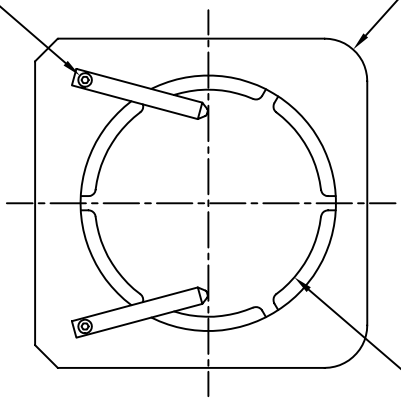
Dash #	Material	Atmos.
-01	Inconel	O2
-02	Moly	UHV



SST Outer Stage

ø2.0 Sample Mounting Area
(See Table A For Material/Atmosphere)

2X Spring Clips
(See Table A For Material/Atmosphere)



Notes:
1.

This document is the property of HeatWave Labs. Its contents may not be reproduced or distributed without express written permission of HeatWave Labs.

ALL DIMENSIONS ARE IN INCHES.
TOLERANCES ARE:
XXXX = ±.005 XX = ±.020
XXXXX = ±.0005
FINISH 63 MICROINCHES
ANGLES 0 DEGREE ±30 MINUTES
EDGES AND CORNERS .005 R MAX

MATERIAL
Noted

DD NOT SCALE DRAWING

Qty.	Part #	Description	Item #
1	102924	ø2.0 Sample Stage	-

HeatWave Labs, Inc.

195 Aviation Way, Suite 100 (831) 722-9081
Watsonville, Ca. 95076 Fax: (831) 722-5491
Website: www.ca.thode.com

BY DATE
ENGR M.Curtis 2/14/05

ø2.0 Stage Stage

SIZE FSCN ND. DWG. ND. 102916 REV -

THIRD ANGLE PROJECTION SCALE: 0.6X SHEET: 1/1