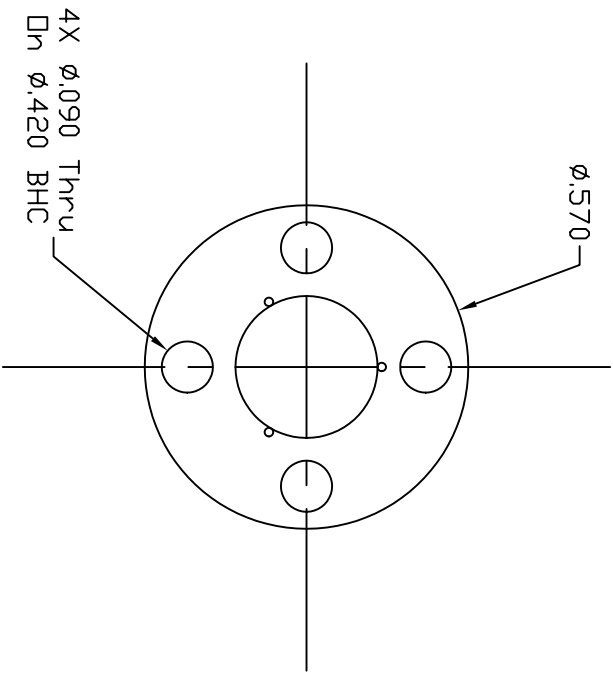
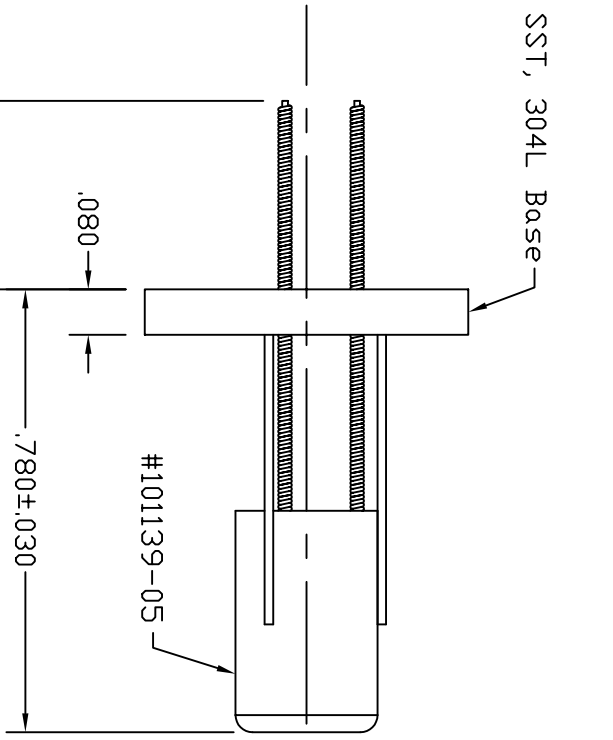


Dash # Next Assembly

- -

REVISIONS			
REV	DESCRIPTION	DATE	APPROVED



Notes:  
1.

This document is the property of HeatWave Labs. Its contents may not be reproduced or distributed without express written permission of HeatWave Labs.

UNLESS OTHERWISE SPECIFIED  
ALL DIMENSIONS ARE IN INCHES.  
TOLERANCES ARE:  
XXX = ±.005 XX = ±.020  
XXXX = ±.0005  
FINISH 63 MICRONDINGERS  
ANGLES 0 DEGREE ±30 MINUTES  
EDGES AND CORNERS .005 R MAX

MATERIAL  
-

DO NOT SCALE DRAWING

1	102848	Mounted Ion Source	-
Qty.	Part #	Description	Item #
<p><b>HeatWave Labs, Inc.</b> 195 Aviation Way, Suite 100 (831) 722-9081 Watsonville, Ca. 95076 Fax: (831) 722-5491 Website: www.cathode.com</p>			
BY		DATE	
ENGR	M.Curtis	12/9/04	
DRAWN			
SIZE		Cage Code	DWG. NO.
A		1VAN4	102847
<p>Mounted Ion Source</p>			REV
			-
SCALE: 3X		SHEET: 1/1	