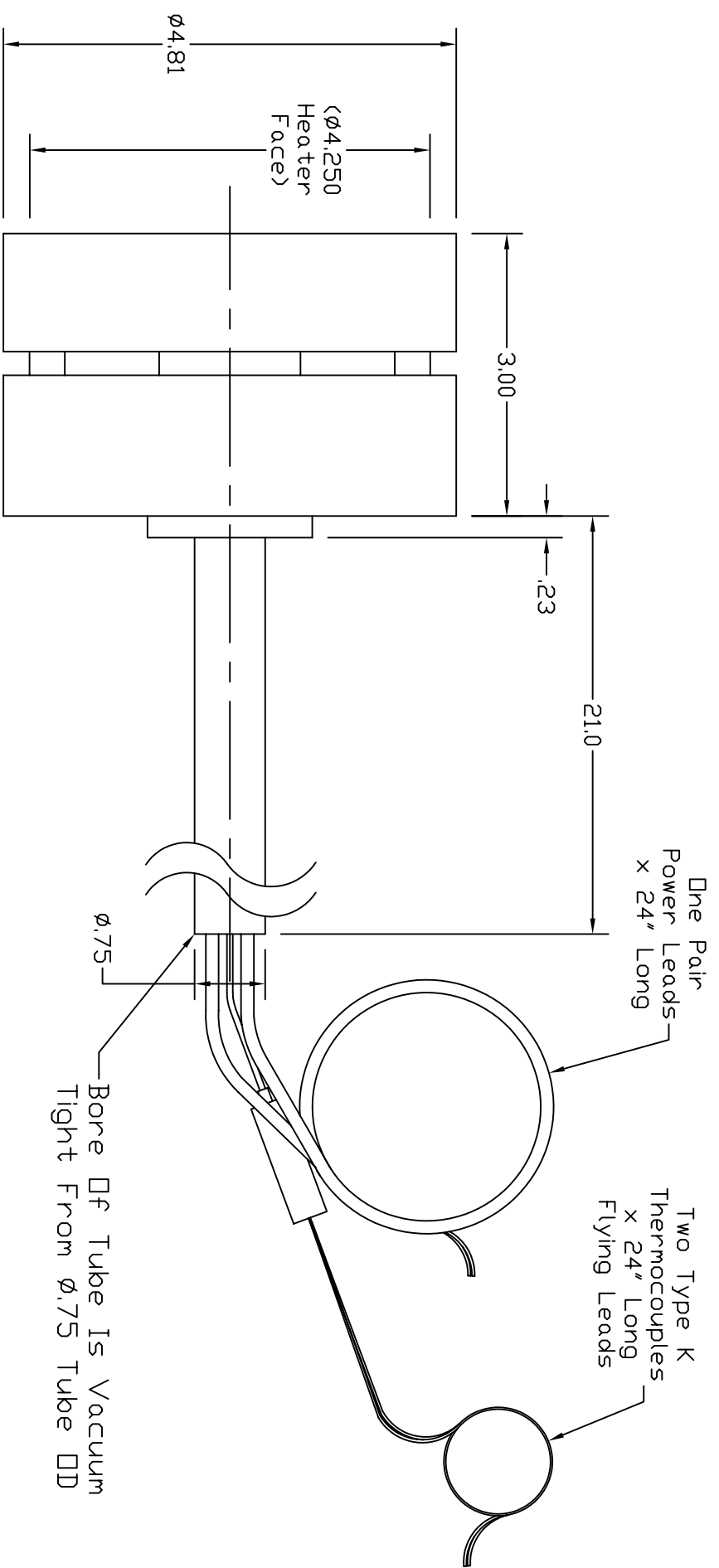


Dash #	Next Assembly
-	-

REV	DESCRIPTION	DATE	APPROVED



- Notes:
- Estimated Operation:
24.5V, 33A @ 800°C
29.0V, 40A @ 1000°C

This document is the property of HeatWave Labs. Its contents may not be reproduced or distributed without express written permission of HeatWave Labs.

UNLESS OTHERWISE SPECIFIED
ALL DIMENSIONS ARE IN INCHES.
TOLERANCES ARE:
XXXX = ±.005 XX = ±.020
FINISH 63 MICRONDINCHES
ANGLES 0 DEGREE ±30 MINUTES
EDGES AND CORNERS .005 R MAX

MATERIAL
-

DD NOT SCALE DRAWING

Qty.	Part #	Description	Item #
1	102856	Ø4.25 OD Heater	-

HeatWave Labs, Inc.
195 Aviation Way, Suite 100 (831) 722-9081
Watsonville, Ca. 95076 Fax: (831) 722-5491
Website: www.ca.thermal.com

BY	DATE
ENGR	12/2/04

SIZE	Cage Code	DWG. NO.	REV
A	1YAN4	102834	1

Ø4.25 OD Heater

SCALE: 0.6x SHEET: 1/1