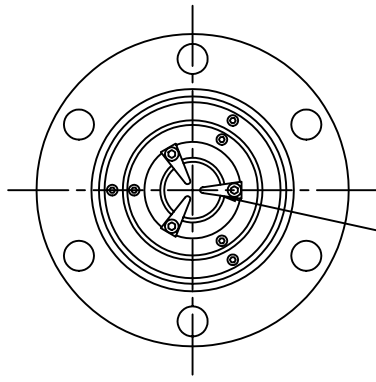
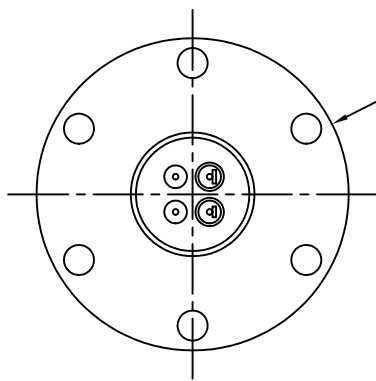
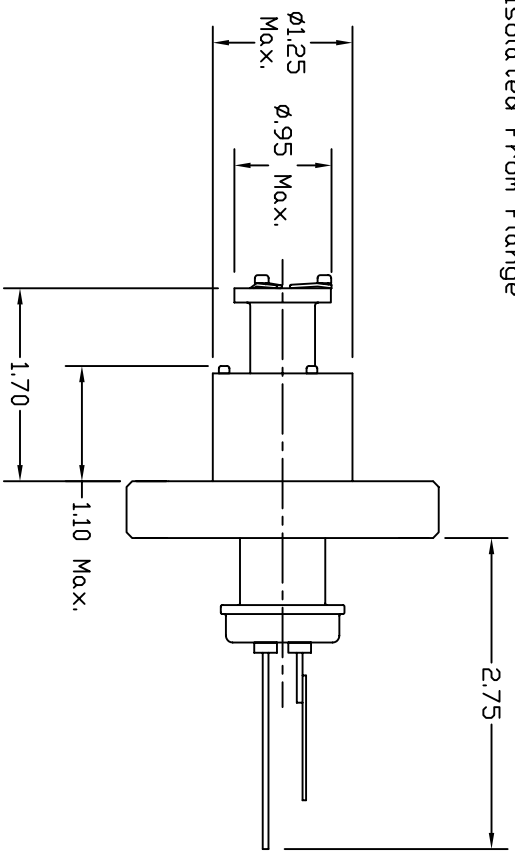


Dash #	Next Assembly
-	-

REVISIONS			
REV	DESCRIPTION	DATE	APPROVED



Ø1/2" O2 Heater Surface,
Electrically Isolated From Flange



2 3/4 CFF, Non-Rotatable, Not Tapped

This document is the property of HeatWave Labs. Its contents may not be reproduced or distributed without express written permission of HeatWave Labs.

UNLESS OTHERWISE SPECIFIED
ALL DIMENSIONS ARE IN INCHES.
TOLERANCES ARE:
XXX = ±.005 XX = ±.020
XXXX = ±.0005
FINISH 63 MICRONDINGERS
ANGLES 0 DEGREE ±30 MINUTES
EDGES AND CORNERS .005 R MAX

MATERIAL
-

DD NOT SCALE DRAWING

Qty.	Part #	Description	Item #
1	102777	101491-05 Mounted To 2 3/4" CFF	-

HeatWave Labs, Inc.
195 Aviation Way, Suite 100 (831) 722-9081
Watsonville, Ca. 95076 Fax: (831) 722-5491
Website: www.cathode.com

BY DATE
DRAWN ENGR MCurTis 10/4/04
101491-05 Mounted To Ø2 3/4" CFF

SIZE A
Cage Code 1VAN4
DWG. NO. 102775
SCALE: 0.6x
SHEET: 1/1