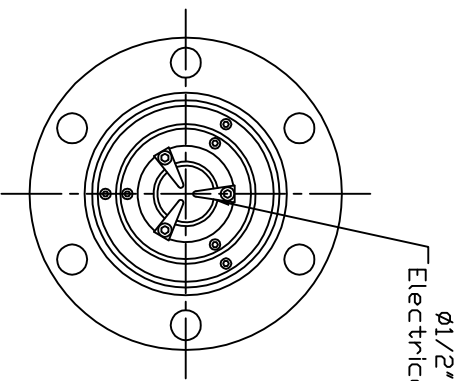


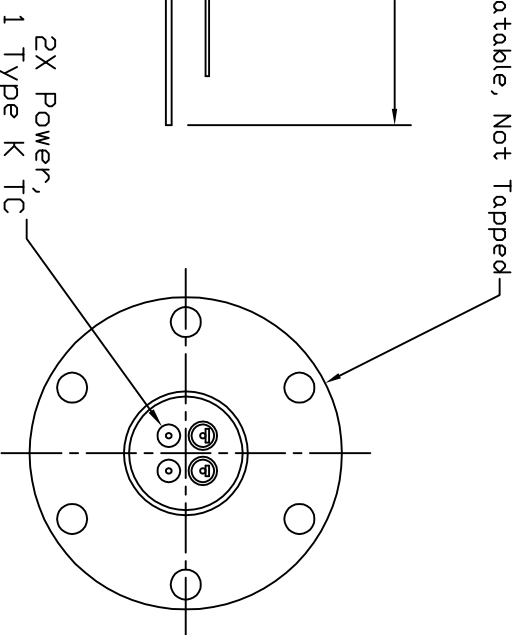
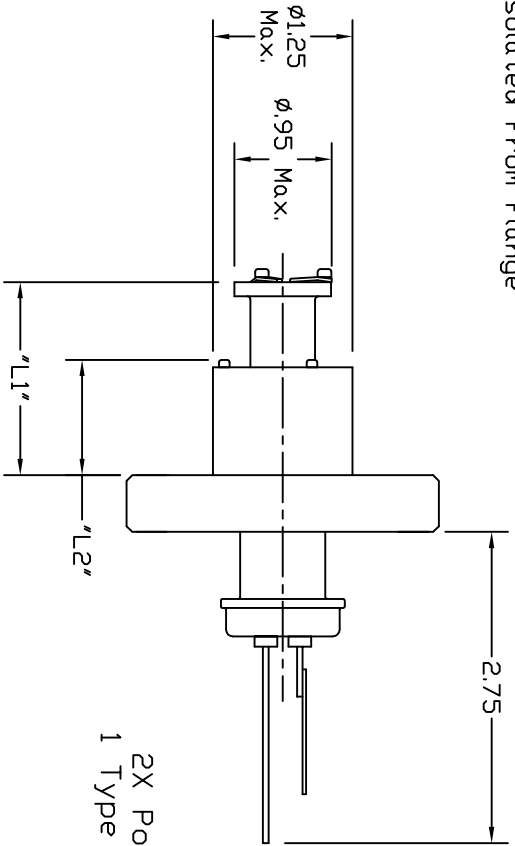
Table A

Dash #	"L1"	"L2"
-01	1.70	0.95
-02	4.00	3.25
-03	1.61	0.86

REVISIONS			
REV	DESCRIPTION	DATE	APPROVED
A	Added dash numbers.	1/30/07	MC
A1	Added note 2.	8/20/12	MC
A2	Added -03.	2/4/13	MC



Ø1/2" UHV Heater Surface,
Electrically Isolated From Flange



2 3/4 CFF, Non-Rotatable, Not Tapped

2X Power,
1 Type K TC

- Notes:
- Estimated operation:
5.8V, 2.1A @ 900°C
7.8V, 2.4A @ 1000°C
9.8V, 2.8A @ 1100°C
12.1V, 3.2A @ 1200°C
 - See 102172 for same with 1 power and no TC feedthru.

-03	-02	-01	Qty.	Part #	Description	Item #
1	-	-	1	104025-03	101491-04 Mounted To 2 3/4" CFF	-
-	1	-	1	104025-01	101491-04 Mounted To 2 3/4" CFF	-
-	-	1	1	102776	101491-04 Mounted To 2 3/4" CFF	-

UNLESS OTHERWISE SPECIFIED
ALL DIMENSIONS ARE IN INCHES.
TOLERANCES ARE:
XXXX = ±.005 XX = ±.020
FINISH 63 MICRONS
ANGLES 0 DEGREE ±30 MINUTES
EDGES AND CORNERS .005 R MAX

MATERIAL

HeatWave Labs, Inc.

195 Aviation Way, Suite 100 (831) 722-9081
Watsonville, Ca. 95076 Fax: (831) 722-5491
Website: www.cathode.com

BY DATE
DRAWN M.Curtis 10/4/04
ENGR

101491-04 Mounted
To Ø2 3/4" CFF

DD NOT SCALE DRAWING

SIZE A
Cage Code 1YAN4
DWG. NO. 102774
SCALE: 06x
SHEET: 1/1
REV A2

This document is the property of HeatWave Labs. Its contents may not be reproduced or distributed without express written permission of HeatWave Labs.