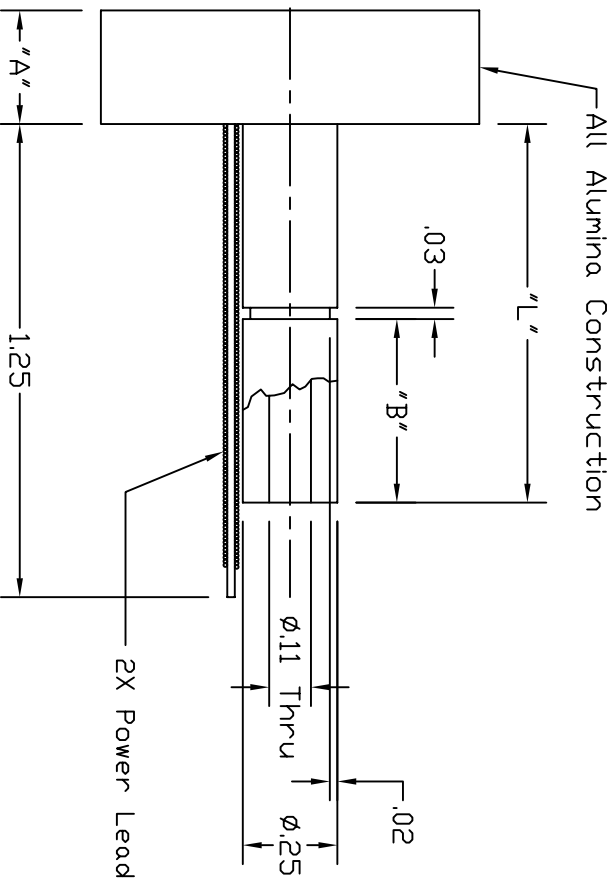
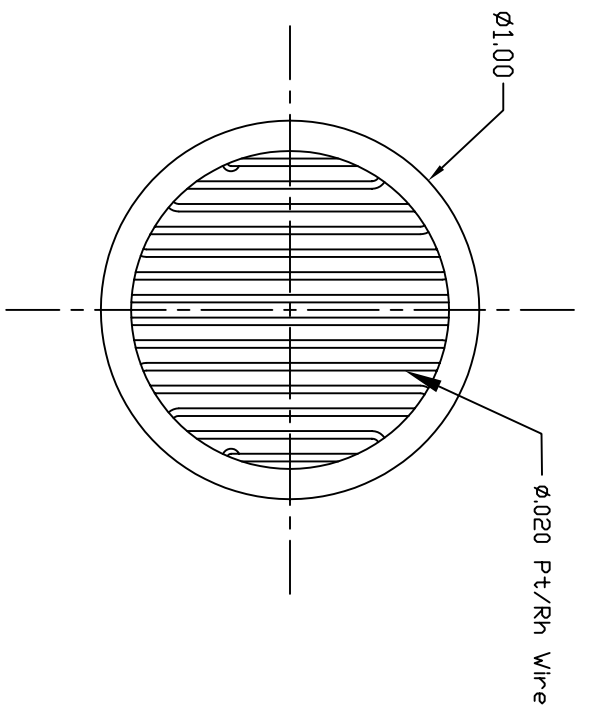


Dash #	Next Assembly
-	-

REVISIONS			
REV	DESCRIPTION	DATE	APPROVED
A1	Added dash numbers.	1/29/07	MC



-02

-01

- Notes:
- Estimated operation:
 6.0V, 8.3A @ 800°C
 7.2V, 8.9A @ 1000°C
 9.3V, 9.5A @ 1200°C

This document is the property of HeatWave Labs. Its contents may not be reproduced or distributed without express written permission of HeatWave Labs.

Dash #	"L"	"A"	"B"
-01	1.00	.30	.46
-02	.40	.32	.06

Table A

UNLESS OTHERWISE SPECIFIED ALL DIMENSIONS ARE IN INCHES.	TOLERANCES ARE: .XXXX = ±.005 .XX = ±.020 .XXX = ±.005 .XXX = ±.005 FINISH 63 MICRONDINGERS ANGLES 0 DEGREE ±30 MINUTES EDGES AND CORNERS .005 R MAX
MATERIAL	-
DD NOT SCALE DRAWING	

HeatWave Labs, Inc.
 195 Aviation Way, Suite 100 (831) 722-9081
 Watsonville, Ca. 95076 Fax: (831) 722-5491
 Website: www.cathode.com

BY	DATE
ENGR	9/16/04

Ø1.0 Ø2/UHV Heater

SIZE	Cage Code	DWG. NO.	REV
A	1VAN4	102746	A1

SCALE: 2X SHEET: 1/1