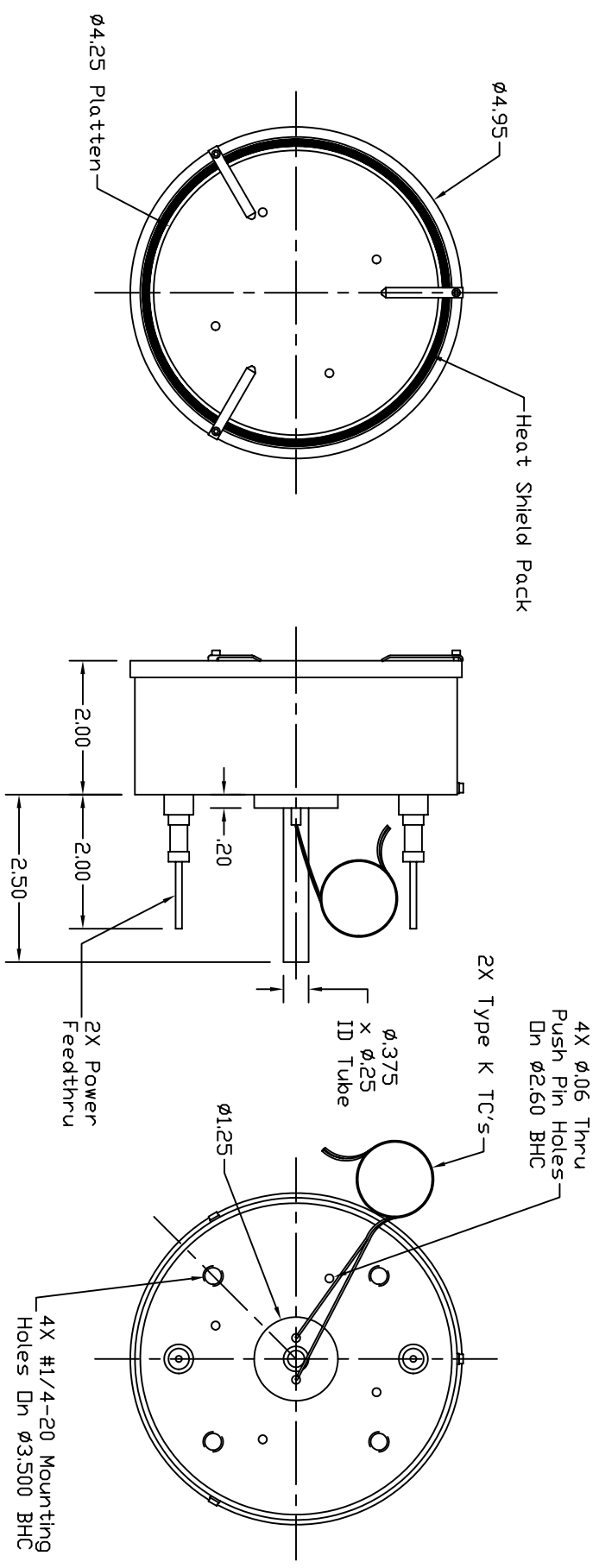


REVISIONS			
REV	DESCRIPTION	DATE	APPROVED



- Notes:
- Estimated Operation:
 12V, 15A @ 800°C
 15V, 17A @ 1000°C
 20V, 25A @ 1200°C

This document is the property of HeatWave Labs. Its contents may not be reproduced or distributed without express written permission of HeatWave Labs.

UNLESS OTHERWISE SPECIFIED ALL DIMENSIONS ARE IN INCHES.
TOLERANCES ARE: .XXX = ±.005 .XX = ±.020 .XXXX = ±.0005 FINISH 63 MICRONS ANGLES 0 DEGREE ±30 MINUTES EDGES AND CORNERS .065 R MAX
MATERIAL -
DD NOT SCALE DRAWING

1	102773	Ø4 UHV Heater Assembly	-
Qty.	Part #	Description	Item #

HeatWave Labs, Inc.
 195 Aviation Way, Suite 100 (831) 722-9081
 Watsonville, Ca. 95076 Fax: (831) 722-5491
 Website: www.cathode.com

BY	DATE
ENGR	9/8/04

SIZE	FSCN ND.	DWG. ND.	REV
A		102717	-
Ø4 UHV Heater			
THIRD ANGLE PROJECTION			
SCALE: 0.4X			SHEET: 1/1