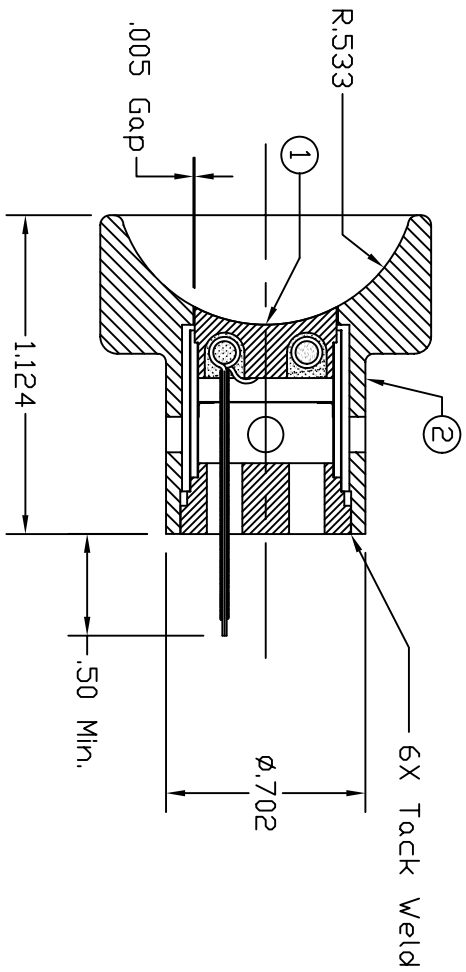
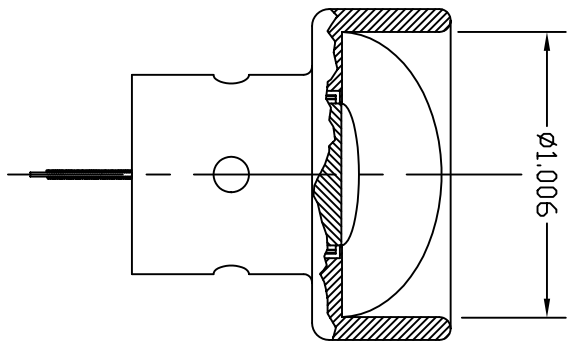
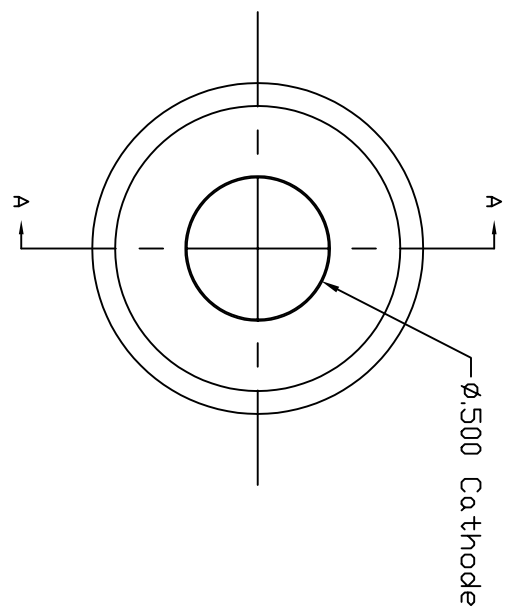


Dash # Next Assembly

- -

REVISIONS			
REV	DESCRIPTION	DATE	APPROVED
A	Changed to one heat shield OD and rear, no pin.	10/13/04	MC



View A-A

Notes:
1.

Qty.	Part #	Description	Item #
1	102759	Welding Fixture	3
1	102758	Focus Electrode	2
1	102757	Cathode Assembly	1

HeatWave Labs, Inc.
 195 Aviation Way, Suite 100 (831) 722-9081
 Watsonville, Ca. 95076 Fax: (831) 722-5491
 Website: www.cathode.com

Elliptical Beam
 Cathode Assembly

UNLESS OTHERWISE SPECIFIED
 ALL DIMENSIONS ARE IN INCHES.
 TOLERANCES ARE:
 .XXX = ±.005 XX = ±.020
 .XXXX = ±.0005
 FINISH 63 MICRONDINGERS
 ANGLES 0 DEGREE ±30 MINUTES
 EDGES AND CORNERS .005 R MAX

MATERIAL
 -

DD NOT SCALE DRAWING

This document is the property of HeatWave Labs. Its contents may not be reproduced or distributed without express written permission of HeatWave Labs.

BY	DATE	SIZE	Cage Code	DWG. NO.	REV
ENGR	8/27/04	A	1VAN4	102697	A
SCALE: 1.5X					SHEET: 1/1