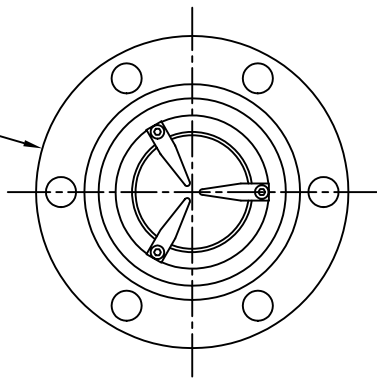
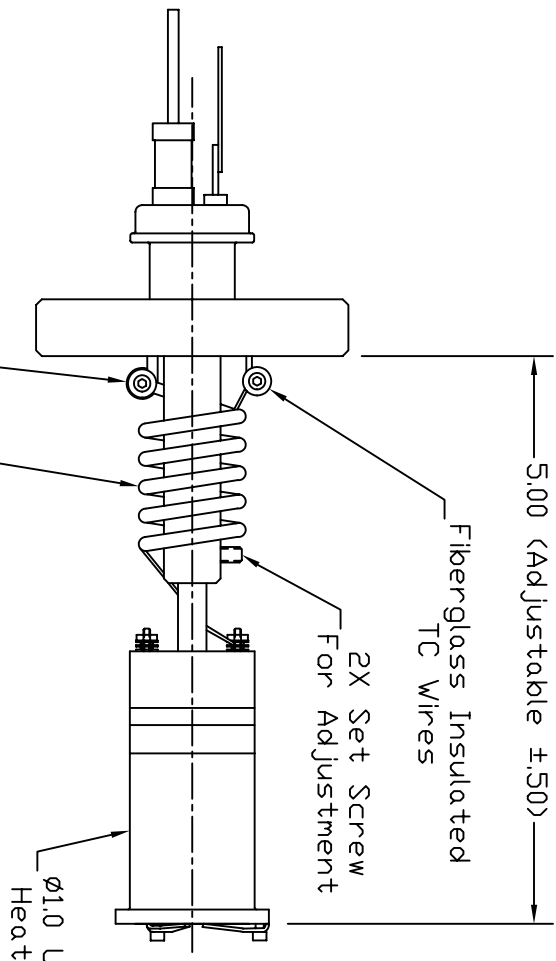
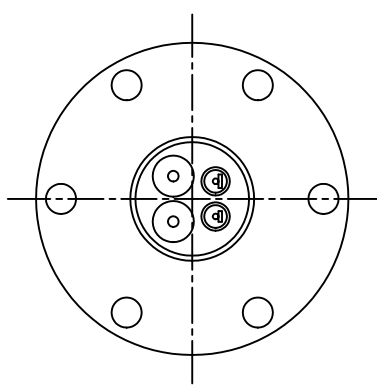


Dash #	Next Assembly
-	-

REVISIONS			
REV	DESCRIPTION	DATE	APPROVED
A	Changed design to isolate heater and changed feedthru design.	5/27/05	MC



Two Power And One TC Pair Bundled And Coiled Loosly

Notes:  
1.

This document is the property of HeatWave Labs. Its contents may not be reproduced or distributed without express written permission of HeatWave Labs.

UNLESS OTHERWISE SPECIFIED ALL DIMENSIONS ARE IN INCHES.  
TOLERANCES ARE:  
XXXX = ±.005 XX = ±.020  
FINISH 63 MICROINCHES  
ANGLES 0 DEGREE ±30 MINUTES  
EDGES AND CORNERS .005 R MAX

MATERIAL -

DD NOT SCALE DRAWING

1	102651	Flange Mounted 101491-01	-
Qty.	Part #	Description	Item #
<p><b>HeatWave Labs, Inc.</b>                  195 Aviation Way, Suite 100 (831) 722-9081                  Watsonville, Ca. 95076 Fax: (831) 722-5491                  Website: www.cathode.com</p>			
BY		DATE	
DRAWN	ENGR	M.Curtis	7/15/04
SIZE		Cage Code	DWG. NO.
A		1VAN4	102644
THIRD ANGLE PROJECTION		SCALE: 0.6x	SHEET: 1/1
Flange Mounted 101491-01			