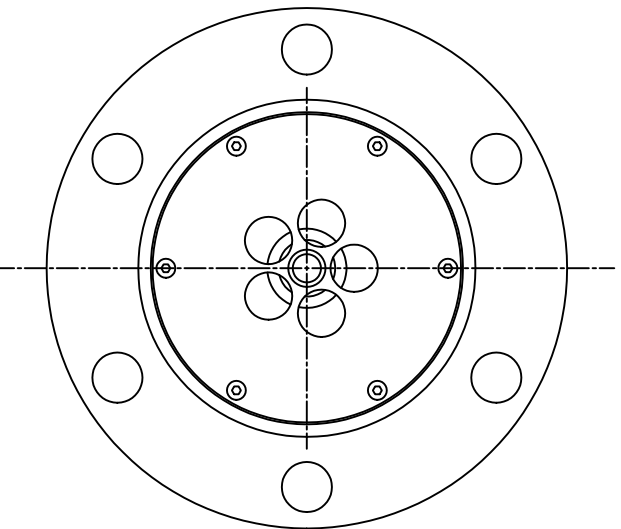
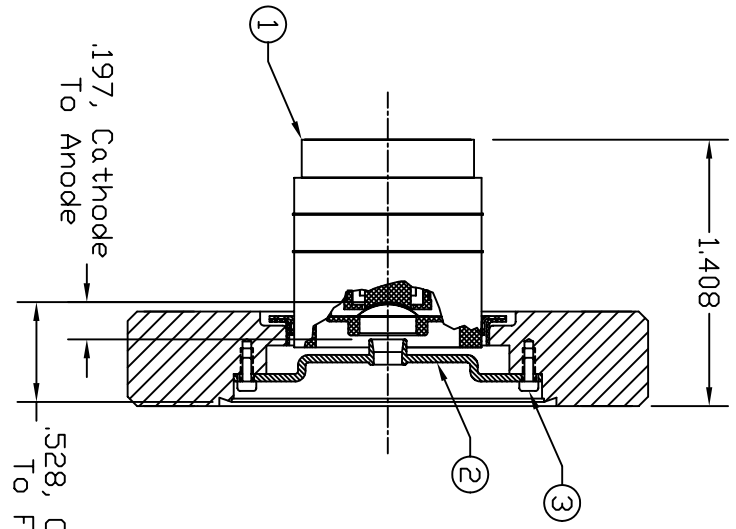
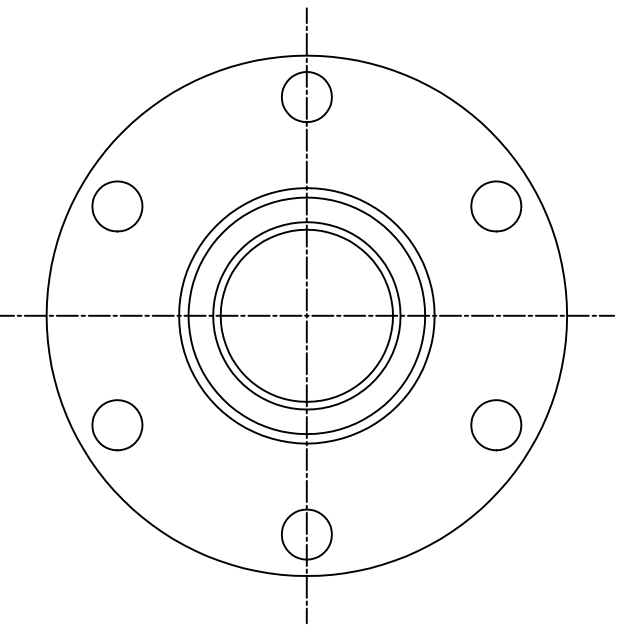


Dash # Next Assembly
- -

REV	DESCRIPTION	DATE	APPROVED



Notes:
1.

This document is the property of HeatWave Labs. Its contents may not be reproduced or distributed without express written permission of HeatWave Labs.

UNLESS OTHERWISE SPECIFIED
ALL DIMENSIONS ARE IN INCHES.
TOLERANCES ARE:
XXXX = ±.005 XX = ±.020
XXXXX = ±.0005
FINISH 63 MICROINCHES
ANGLES 0 DEGREE ±30 MINUTES
EDGES AND CORNERS .005 R MAX

MATERIAL
-

DD NOT SCALE DRAWING

Qty.	Part #	Description	Item #
1	102720	Shipping Fixture	4
6	-	#0-80 x 1/8 SST SHCS	3
1	102719	Anode	2
1	102718	Electron Gun/Flange Assembly	1

HeatWave Labs, Inc.
195 Aviation Way, Suite 100 (831) 722-9081
Watsonville, Ca. 95076 Fax: (831) 722-5491
Website: www.cathode.com

BY DATE
ENGR M.Curtis 5/29/04

Electron Gun

SIZE	Cage Code	DWG. NO.	REV
A	1VAN4	102592	-
THIRD ANGLE PROJECTION	SCALE: 1x	SHEET: 1/1	