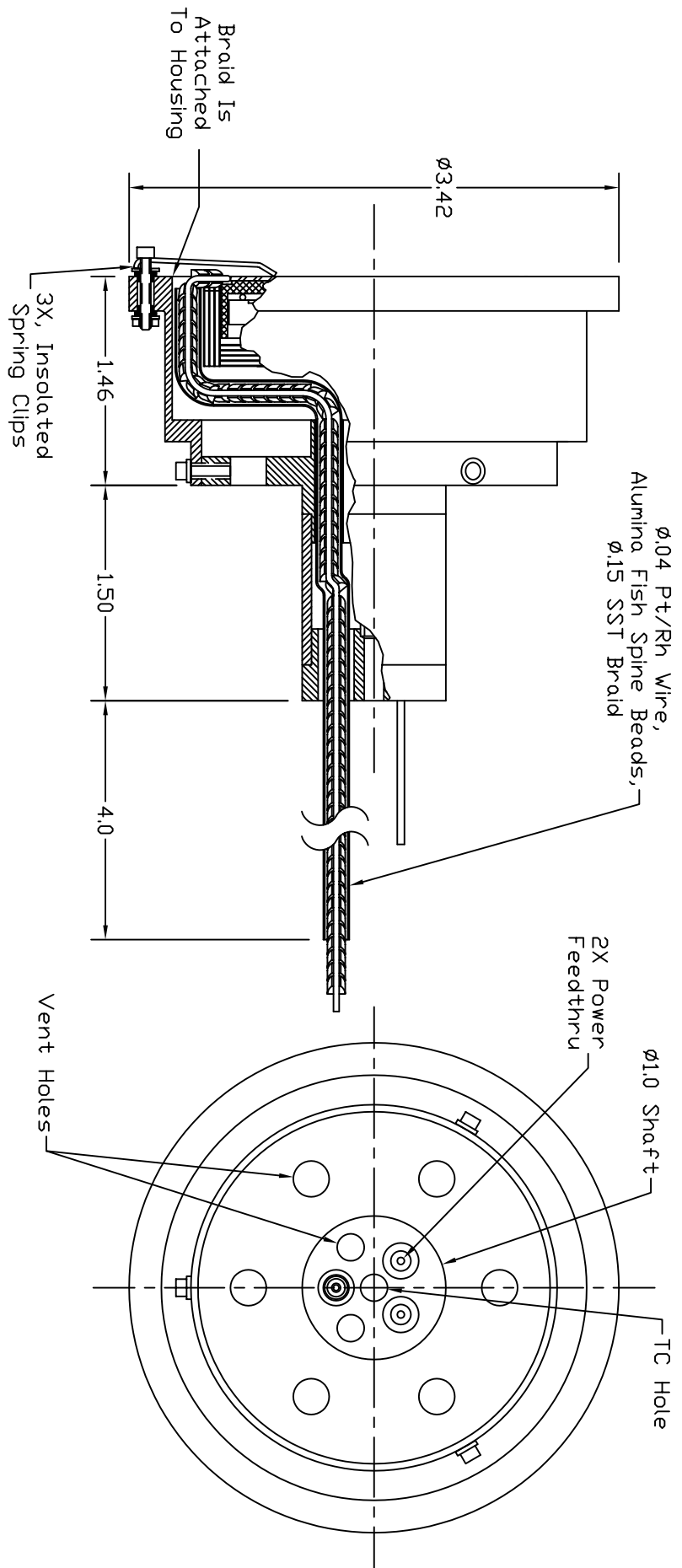


REV	DESCRIPTION	DATE	APPROVED

REVISIONS



This document is the property of HeatWave Labs. Its contents may not be reproduced or distributed without express written permission of HeatWave Labs.

ALL DIMENSIONS ARE IN INCHES.
 TOLERANCES ARE:
 .XXXX = ± 0.05 .XX = ± 0.20
 .XXXX = ± 0.005
 FINISH 63 MICROINCHES
 ANGLES 0 DEGREE ± 30 MINUTES
 EDGES AND CORNERS .063 R MAX

MATERIAL
 Noted

DD NOT SCALE DRAWING

Qty.	Part #	Description	Item #
1	102554	$\phi 2.0$ 1200°C Heater w/Bias	-

HeatWave Labs, Inc.
 195 Aviation Way, Suite 100 (831) 722-9081
 Watsonville, Ca. 95076 Fax: (831) 722-5491
 Website: www.ca.thode.com

BY	DATE
ENGR	4/27/04
M.Curtis	

DRAWN
 ENGR
 Sim 101446

SIZE	FSCN NO.	DWG. NO.	REV
A		102536	-

$\phi 2.0$ 1200°C Heater w/Bias
 SCALE: 0.9X
 SHEET: 1/1