

Dash #	Next Assembly
-	-

REVISIONS			
REV	DESCRIPTION	DATE	APPROVED
A1	A = Added Table A, A1 = added estimated operation and TC notes.	9/20/04	MC

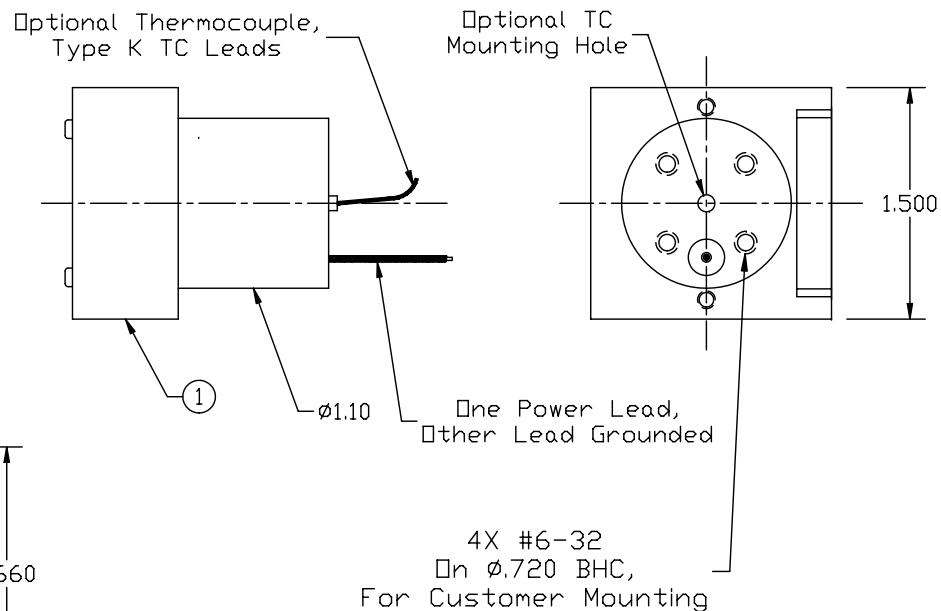
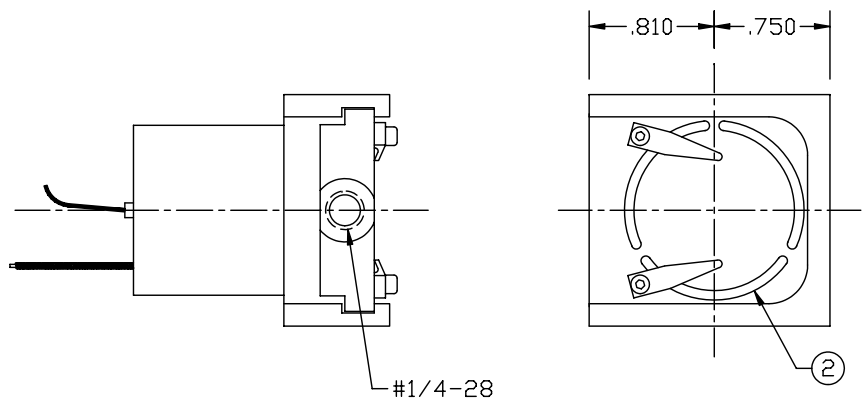
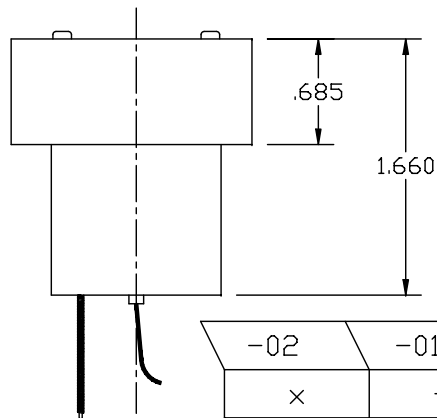


Table A

Dash #	Atmosphere
-01	UHV
-02	Ø2



- Notes:
- Shown with optional sample stage.
 - Estimated operation:
 102514-01
 10.9V, 6.6A @ 1000°C
 16.0V, 8.0A @ 1200°C
 102514-02
 18.5V, 9.1A @ 1000°C
 23.0V, 10.5A @ 1200°C

Qty.	Qty.	Part #	Description	Item #
x	-	102515-03	Optional Sample Stage	2
-	x	102515-02	Optional Sample Stage	2
x	-	102515-01	Optional Sample Stage	2
1	-	102535-02	Ø1.0 Heater w/Stage Mount	1
-	1	102535-01	Ø1.0 Heater w/Stage Mount	1

UNLESS OTHERWISE SPECIFIED
 ALL DIMENSIONS ARE IN INCHES.
 TOLERANCES ARE:
 .XXX = ±.005 .XX = ±.020
 .XXXX = ±.0005
 FINISH 63 MICROINCHES
 ANGLES 0 DEGREE ±30 MINUTES
 EDGES AND CORNERS .005 R MAX

HeatWave Labs, Inc.

195 Aviation Way, Suite 100 (831) 722-9081
 Watsonville, Ca. 95076 Fax: (831) 722-5491
 Website: www.cathode.com

BY	DATE
DRAWN	
ENGR	M.Curtis 4/5/04

Ø1.0 Heater
 w/Stage Dock

MATERIAL
-
DO NOT SCALE DRAWING

SIZE	Cage Code	DWG. NO.	REV
A	IYAN4	102514	A1
THIRD ANGLE PROJECTION		SCALE: 0.8x	SHEET: 1/1

This document is the property of HeatWave Labs. Its contents may not be reproduced or distributed without express written permission of HeatWave Labs.