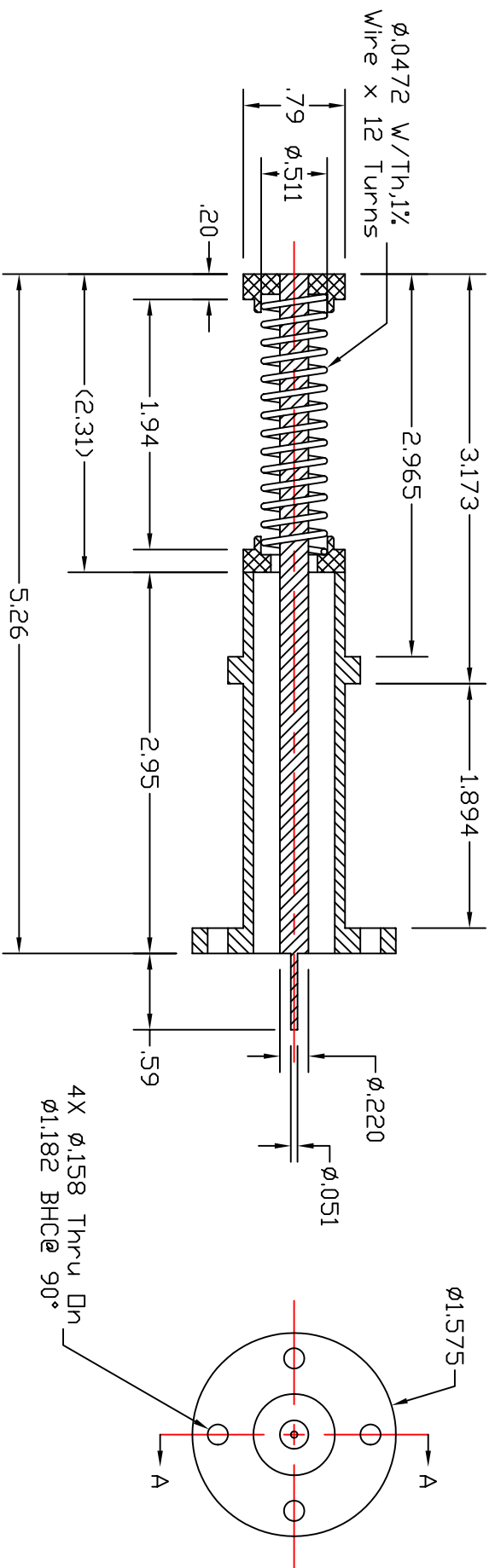


Dash #	Next Assembly
-	-

REVISIONS			
REV	DESCRIPTION	DATE	APPROVED



View A-A

Notes:
1.

This document is the property of HeatWave Labs. Its contents may not be reproduced or distributed without express written permission of HeatWave Labs.

UNLESS OTHERWISE SPECIFIED
ALL DIMENSIONS ARE IN INCHES.
TOLERANCES ARE:
XXXX = ±.005 XX = ±.020
FINISH 63 MICROINCHES
ANGLES 0 DEGREE ±30 MINUTES
EDGES AND CORNERS .005 R MAX

MATERIAL
-

DO NOT SCALE DRAWING

1	102404	Directly Heated Magnetron Cathode	-
Qty.	Part #	Description	Item #
<p>HeatWave Labs, Inc. 195 Aviation Way, Suite 100 (831) 722-9081 Watsonville, Ca. 95076 Fax: (831) 722-5491 Website: www.cathode.com</p> <p>Directly Heated Magnetron Cathode</p>			
BY		DATE	
DRAWN	M.Curtis	10/28/03	
ENGR			
SIZE	Cage Code	DWG. NO.	REV
A	1VAN4	102387	-
THIRD ANGLE PROJECTION			SHEET: 1/1
SCALE: 0.8X			