

REVISIONS			
REV	DESCRIPTION	DATE	APPROVED
A	Added notes and dash numbers.	11/12/03	MC

Dash #	Next Assembly
-	-

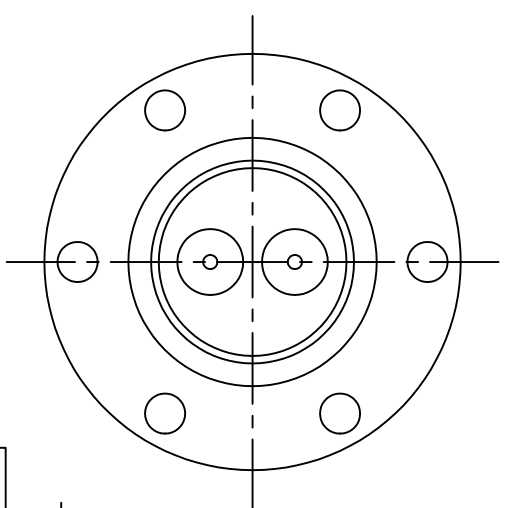
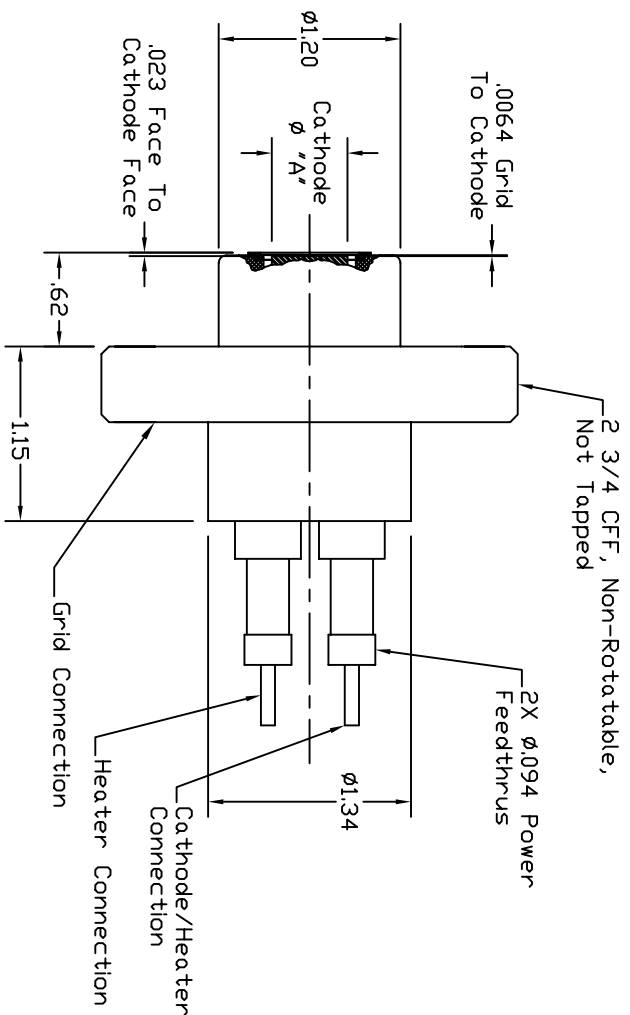


Table A

Dash #	"A"
-01	Ø.500
-02	Ø.134
-03	Ø.250

- Notes:
1. Gun is shipped under vacuum.
 2. Grid is .002 thick Mo, 90% transparency.

This document is the property of HeatWave Labs. Its contents may not be reproduced or distributed without express written permission of HeatWave Labs.

Qty.	Qty.	Qty.	Qty.	Part #	Description	Item #
-03	-02	-01	-	102400	CFF Mounted, Gridded Electron Gun	-
1	-	-	-	102399	CFF Mounted, Gridded Electron Gun	-
-	1	-	1	102354	CFF Mounted, Gridded Electron Gun	-

UNLESS OTHERWISE SPECIFIED
ALL DIMENSIONS ARE IN INCHES.
TOLERANCES ARE:
XXX = ±.005 XX = ±.020
XXXX = ±.0005
FINISH 63 MICRONS
ANGLES 0 DEGREE ±30 MINUTES
EDGES AND CORNERS .005 R MAX

HeatWave Labs, Inc.
195 Aviation Way, Suite 100 (831) 722-9081
Watsonville, Ca. 95076 Fax: (831) 722-5491
Website: www.cathode.com

BY	DATE
ENGR	10/2/03

MATERIAL	-	SIZE	Cage Code	DWG. NO.	REV
-	-	A	1VAN4	102353	A
DD NOT SCALE DRAWING		THIRD ANGLE PROJECTION	SCALE: 0.8X	SHEET: 1/1	

2 3/4 CFF Mounted,
Gridded Electron Gun