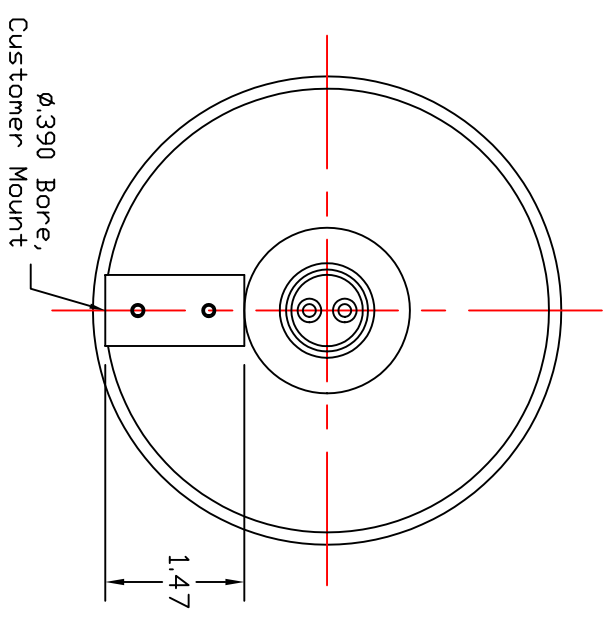
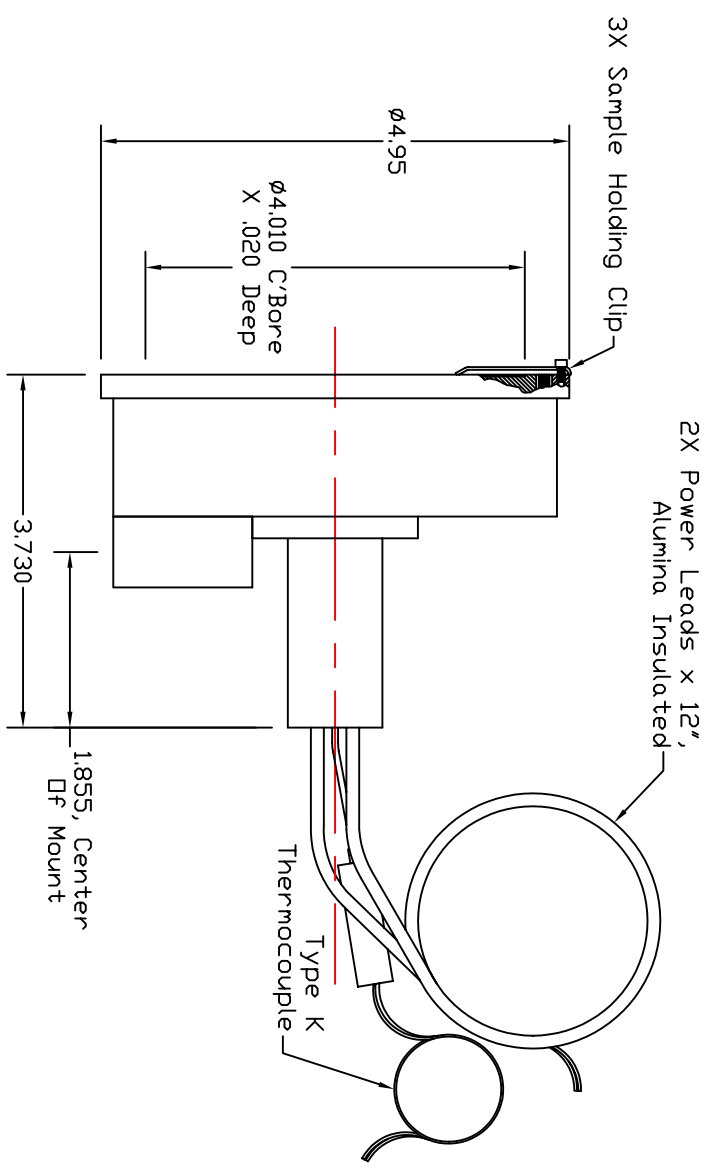


Dash #	Next Assembly
-	-

REVISIONS			
REV	DESCRIPTION	DATE	APPROVED



Notes:  
1.

This document is the property of HeatWave Labs. Its contents may not be reproduced or distributed without express written permission of HeatWave Labs.

UNLESS OTHERWISE SPECIFIED  
ALL DIMENSIONS ARE IN INCHES.  
TOLERANCES ARE:  
XXX =  $\pm .005$  XX =  $\pm .020$   
XXXX =  $\pm .0005$   
FINISH 63 MICRONS  
ANGLES 0 DEGREE  $\pm 30$  MINUTES  
EDGES AND CORNERS .005 R MAX

MATERIAL  
-

DD NOT SCALE DRAWING

1	102327	$\phi 4.0$ UHV Heater	-
Qty.	Part #	Description	Item #
<p><b>HeatWave Labs, Inc.</b> 195 Aviation Way, Suite 100 (831) 722-9081 Watsonville, Ca. 95076 Fax: (831) 722-5491 Website: www.cathode.com</p>			
BY		DATE	
ENGR	M.Curtis	9/16/03	
DRAWN			
SIZE		DWG. NO.	REV
A	Cage Code 1YAN4	102322	1
THIRD ANGLE PROJECTION		SCALE: 0.5X	SHEET: 1/1