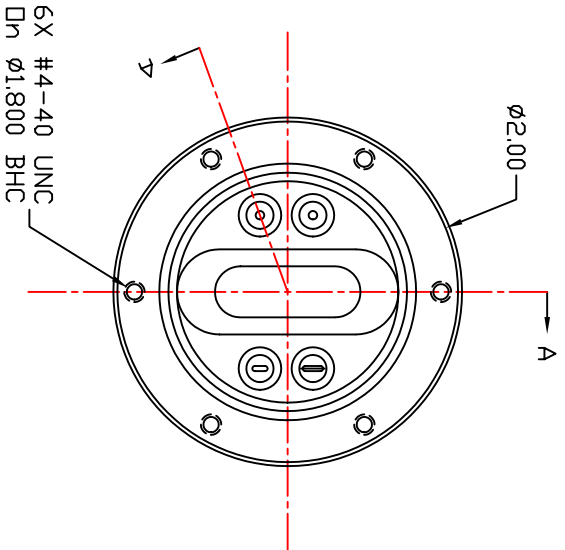
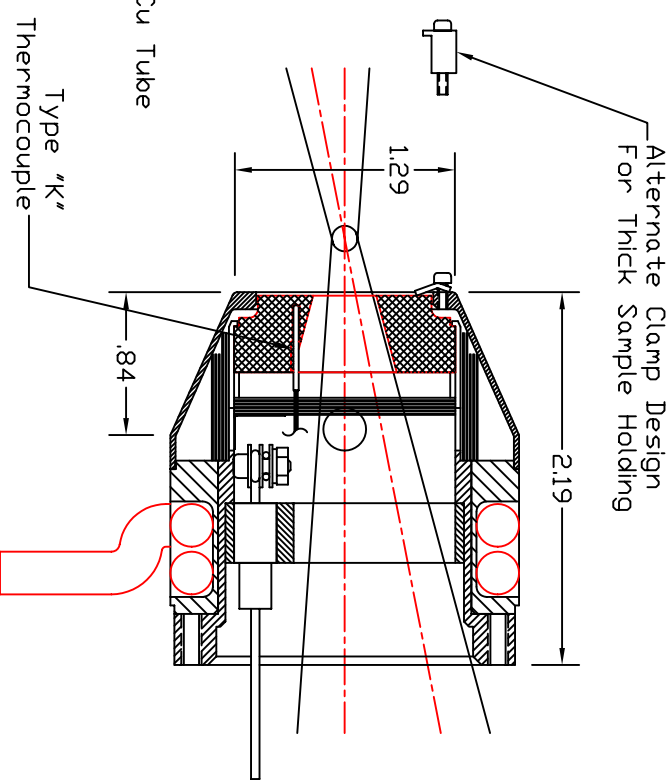
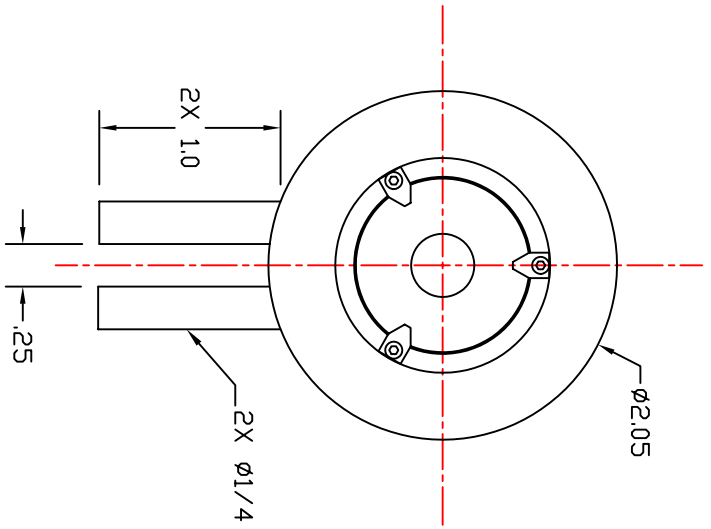


Dash # Next Assembly

- -

REVISIONS			
REV	DESCRIPTION	DATE	APPROVED



View A-A

This document is the property of HeatWave Labs. Its contents may not be reproduced or distributed without express written permission of HeatWave Labs.

UNLESS OTHERWISE SPECIFIED
ALL DIMENSIONS ARE IN INCHES.
TOLERANCES ARE:
XXXX = ±.005 XX = ±.020
XXXXX = ±.0005
FINISH 63 MICRONDICES
ANGLES 0 DEGREE ±30 MINUTES
EDGES AND CORNERS .005 R MAX

MATERIAL
-

DD NOT SCALE DRAWING

1	-	Ø1.0 D2 Sample Heater	-
Qty.	Part #	Description	Item #
<p>HeatWave Labs, Inc. 195 Aviation Way, Suite 100 (831) 722-9081 Watsonville, Ca. 95076 Fax: (831) 722-5491 Website: www.cathode.com</p>			
BY		DATE	
DRAWN			
ENGR	M.Curtis	7/21/03	
SIZE		DWG. NO.	REV
A		102262	-
Cage Code		SCALE: 0.9X	SHEET: 1/1
Ø1.0 D2 Sample Heater			